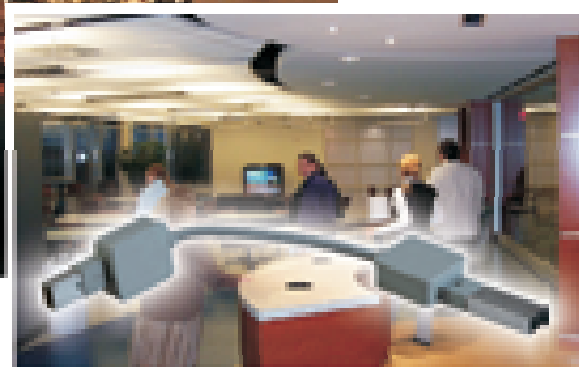
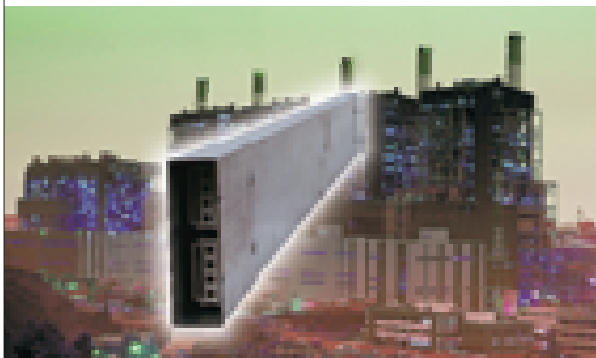


Busbar Trunking System

32 - 63A Lighting Busbar



Controls & Switchgear Company Ltd.

Reference Standard - IEC 60439-1

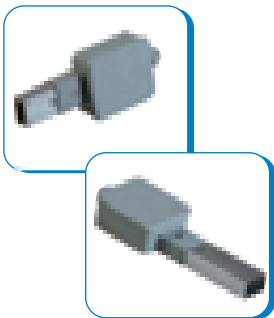
Current rating (I _n)	Amp .	32	63	
Number of poles	-	4P	4P	
Product Code - 3 mtrs	-	LBC323	LBC633	
Product Code - 1 mtrs	-	LBC321	LBC631	
Overall Dimensions (WxH)	mm	24 x 85	24 x 85	
Rated Voltage (U _e)	Volts	500	500	
Insulation Voltage (U _i)	Volts	690	690	
Frequency	Hz	50/60	50/60	
Material for phase & nertual conductor	-	CU	CU	
Material for Enclosure	-	AL	AL	
Crossection of conductor - Phase	Sqmm	4	8	
Crossection of conductor - Neutral	Sqmm	4	8	
Crossection of Enclousure (=Cu)	Sqmm	123	123	
AC Resistance (R)	mΩ/m	4.60	2.30	
Reactance (X)	mΩ/m	0.1430	0.0720	
Impedence (Z)	mΩ/m	4.6022	2.3011	
Rated short circuit time curent for 0.1 sec(I _{cw})	KA	2.3	3.3	
Rated peak Current (I _{pk})	KA	3.5	5.0	
Degree of protection as per IEC 60529	-	IP 55	IP 55	
Total Power Loss at nominal current	Watt/m	4.71	9.13	
Voltage drop with distributed load (∅V) at	0.7 cos∅	mV/A/m	2.8770	1.4388
	0.8 cos∅	mV/A/m	3.2613	1.6309
	0.9 cos∅	mV/A/m	3.6397	1.8200
	1.0 cos∅	mV/A/m	3.9836	1.9918
Plug in points position	-	In front only		
Weight - 3mtr straight length	Kg/mtr	0.96	1.16	

Plug In Box



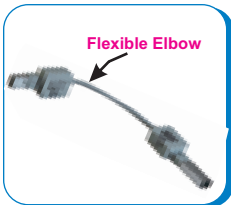
Type	Direct		With Fuse	
Rating	10 Amp	16 Amp	10 Amp	16 Amp
Product Code - 2 Pole(With Phase Selection)	LPB10D2	LPB16D2	LPB10F2	LPB16F2
Product Code - 4 Pole	LPB10D4	LPB16D4	LPB10F4	LPB16F4
Max. Cable section for termination	2.5 sq mm			
Max. Dia. for cable entrance	13mm			
Fuse type	5x20 (Glass)			

End Feed Units



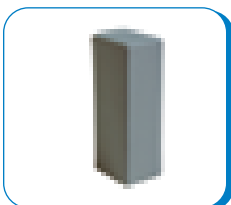
Type	Direct		With MCB	
Rating / No of poles	32 Amp	63 Amp	32 Amp	63 Amp
Product Code - LHS	LEFC32DL	LEFC63DL	LEFC32ML	LEFC63ML
Product Code - RHS	LEFC32DR	LEFC63DR	LEFC32MR	LEFC63MR
Over all dimensions L x W x H in mm	150 x 130 x 65		250 x 130 x 65	
Dia. for cable entrance, in mm	26		26	

Flexible Elbow



Rating	32A	63A
Product Code	LFXC32	LFXC63

End Cover



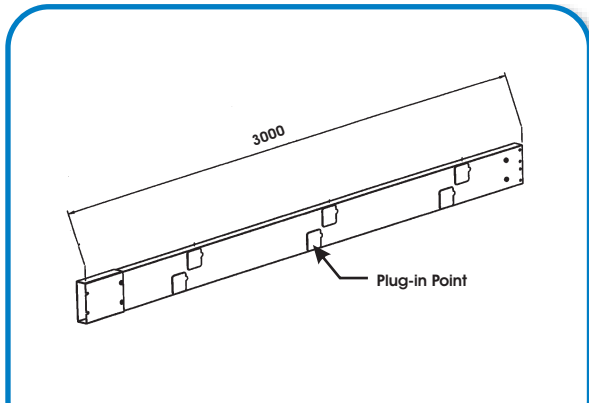
Rating	32A	63A
Product Code	LEC-1	

Fixing Bracket

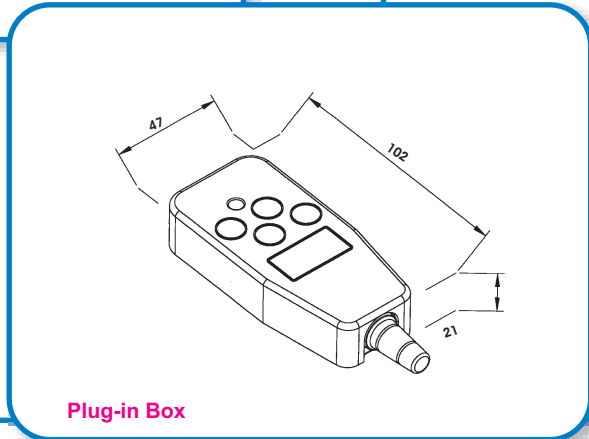
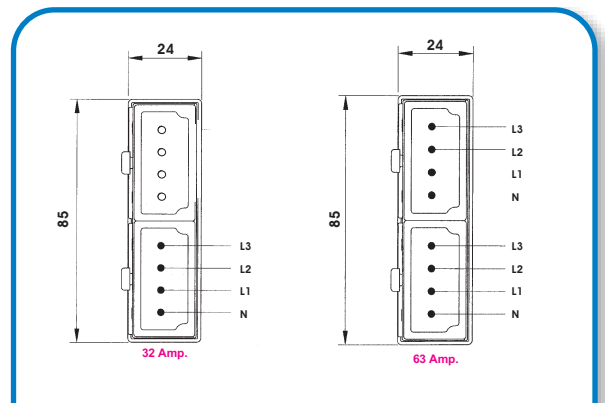


Rating	32 / 63A
Material	G I 1.6mm thick
Product code	LBK - 1

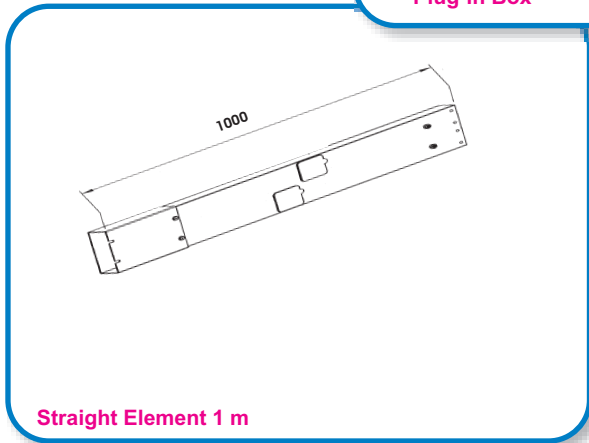
Physical Data



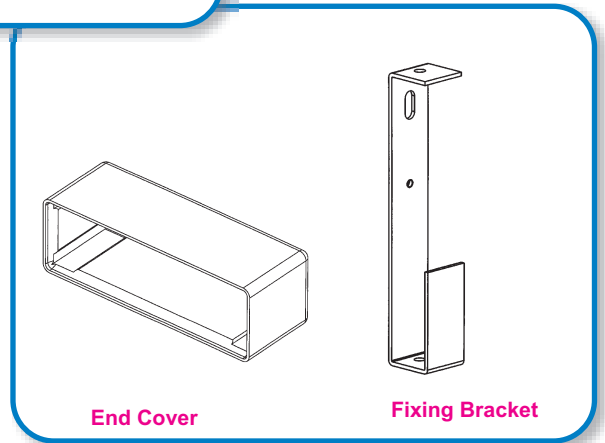
Straight Element 3 m



Plug-in Box



Straight Element 1 m



Marketing Offices

Central/Northern/Eastern Region

222, Okhla Industrial Estate,
New Delhi - 110 020, India.
Tel. : +91-11-30887520-29
Fax : +91-11-2684 8241, 2684 7342
email : bhattacharya@controlsindia.com

Western Region

#A 301 / 302, 3rd floor, Nav Bharat Estate,
Zakaria Bunder Road, Sweri (West),
Mumbai - 400 015, Maharashtra, India.
Tel. : +91-22- 24114727, 24114728
Fax: +91-22-241137858, 24114704
email : ajedesai@controlsindia.com

Southern Region

#N607, North Block, Rear Wing,
Manipal Center, 47, Dickenson Road,
Bangalore -560 042, Karnataka, India.
Tel. : +91-80- 25586147, 25594939
Fax: + 91-80- 25584839
email : kroopkumar@vsnl.net



Controls & Switchgear Company Ltd.

Works : Plot No. 1A, Sector 8C, Integrated Industrial Estate (SIDCUL)
Ranipur, Hardwar, Uttaranchal -249403 Tel.: 01334-239212, 01334-239217

Corporate Office : 222, Okhla Industrial Estate, New Delhi -110 020
Tel. : +91-11-30887520-29 Fax: +91-11-2684 8241, 2684 7342

Website: www.controlsindia.com