

We touch your **electricity** everyday!

WiNtrip



Distribution Board

Introduction - Distribution Board

C&S Electric Ltd. is amongst the leading manufacturers of electrical equipment in India and is India's largest exporter of industrial switchgear. It's wide range of electrical and electronic products find application in power generation, distribution, control, protection and final consumption.



Manufacturing Plant at Haridwar



WiNtrip

Distribution Board

Distribution Board is the composite system through which the power is distributed to various circuits received from a single source of supply. The Distribution Board comprises of an enclosure (Single door or Double door), copper busbar, din rail, brass neutral links and earth links. It provides housing to protective devices such as Isolators, RCCBs, MCBs and becomes a complete power distribution system in itself.

The proper selection of DBs is extremely important for the safety & reliability of installation. Following factors should be considered while selecting a DB.

- Installation type - Indoor / Outdoor
- Distribution circuit type

C&S Electric brings comprehensive range of premium distribution boards suitable for residential, commercial & industrial application. WiNtrip DBs are made up of superior steel with deep drawn construction, offers high impact & corrosion resistance. Unique pan assembly minimises the assembly time & insulated neutral links adds the safety. WiNtrip DBs combines very well with MCB & RCB to provide comprehensive protection as a complete system.



residential



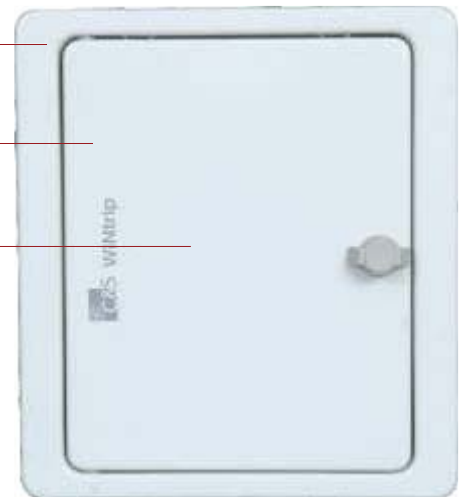
commercial



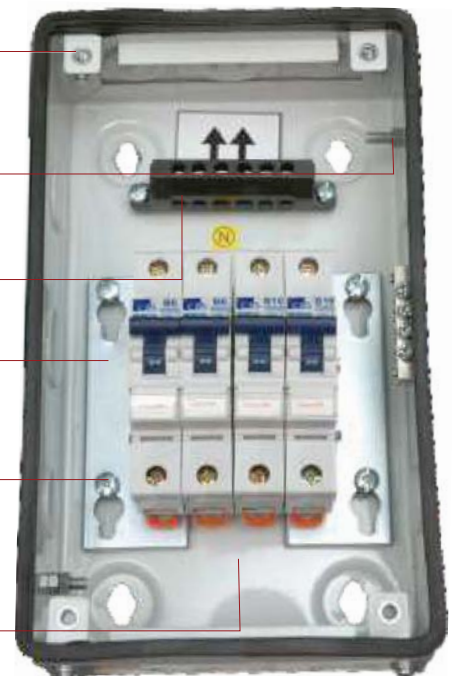
industrial

Features & Benefits

- Deep drawn front cover, frame & door - high impact resistance & aesthetic finish.
- Deep drawn construction ensures that there are no hidden unpainted bends - high corrosion resistance & paint life.
- 60 micron powder coating - high corrosion & scratch resistance and superior aesthetic finish.



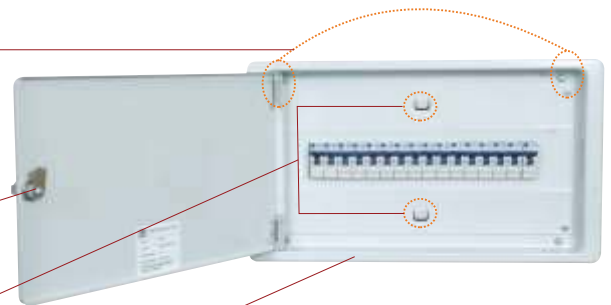
- Steel nut inserts with deep screw to give a firm hold and grip to the door - high life on repeated usage of the front cover
- Earthing provision, basically required for the protection against stray leakage current - complies to safety mandate.
- Insulated/Captive Busbar and Neutral Links, for better safety and protection.
- Unique PAN Assembly - easy assembly & maintenance.
- All the MCBs mounted inside the DB can be taken out in just one shot by the easy removal of the four screws - easy wiring & replacement
- Adequate wiring space has been provided below the Pan Assembly for proper termination and safety - enhanced safety & convenient fault diagnosis.
- In fully loaded Pre-wired DBs wiring with thimble pin for better safety and aesthetics.



- Fully equipped DBs supplied with Busbar, Earth Links, Neutral Links and inter connecting links.
- In all modules of SPN heavy duty gasket has been inserted for weather proofing.
- Choice of multiple in-comer in form of Isolator, MCB, RCCB + MCB, Isolator + MCB
- Insulated busbar - Enhanced system safety.



- Unique easy to dismantle hinge mechanism
 - Doors can be removed for convenient installation & maintenance.
 - Door can be easily mounted on either side of the board thereby allowing flexibility of mounting under varying site condition.
- Lock and Key mechanism is provided to prevent unauthorised access.
- Two finger holes to lift the plate have been duly plugged for making the board dust free and safe
- Detachable gland plates at top and bottom with knock outs on the two sides - Flexibility of cabling & installation.
- IP42 Protection with provision for Ip43
- Masking sheet provided as standard - extra protection to the DB during masonry work.



DB Range

C&S offers complete range of distribution boards suitable for residential, commercial & industrial applications.

- SPN Distribution Board Horizontal - single & double door
- TPN Distribution Board Horizontal - single & double door
- VTPN Distribution Board with MCB as incomer
- VTPN Distribution Board with MCCB as incomer
- PPI Distribution Board
- TPNH Phase Selector Distribution Board
- Seven Segment Distribution Board
- Plug & Socket Distribution Board - Metal Clad & Plastic

Vertical TPN Distribution Board

VTPN Double Door Distribution Board with MCB as incomer in closed position



Assembled 4 way VTPN Distribution Board with MCB as incomer in open door position



Internal View of VTPN Double Door Distribution Board with MCB as incomer



Plug & Socket DB



Outer version of 30A TP Plug & Socket Distribution Board



Inner version of 30A TP Plug & Socket Distribution Board



Outer version of 20A SPN Plug & Socket Distribution Board



Inner version of 20A SPN Plug & Socket Distribution Board

- Deep drawn sheet metal powder coated Plug & Socket Distribution Boards
- Range available in 10 & 20A SPN and 20 & 30A TP
- Adjustable 35 sq. mm din rail with connecting links
- Insulated neutral link in SPN Boards
- SPN Plug & Socket in 250V and TP in 440V
- SPN & TP boards with one blanking plate each & sockets with plastic cover
- Connecting links cross width section SPN - 2.5 sq. mm flexible cable, TP - 6.0 sq. mm flexible cable
- Provision for both flush & wall mounting
- Heavy duty screw type out going wire nozzle
- Body in matt finish and cover in semi glossy finish
- Paint 60 micron powder coating
- Plug & Socket internal material SPN PBT & TP PBT & Porcelain
- Plug & Socket also available loose

Quick Selection Table - Distribution Board

SPN DB – Horizontal

Single Door



Type	Product Code	No. of Modules (Incomer + Outgoing)	Total Modules
4 way Single Door	CSDBSPNSD04	4	4
8way Single Door	CSDBSPNSD08	8	8
12 way Single Door	CSDBSPNSD12	12	12
16 way Single Door	CSDBSPNSD16	16	16
2+4 way Single Door	CSDBSPNSD2+04MB2ISO100*	2+4	6
2+6 way Single Door	CSDBSPNSD2+06MB2ISO100*	2+6	8
2+8 way Single Door	CSDBSPNSD2+08MB2ISO100*	2+8	10
2+12 way Single Door	CSDBSPNSD2+12MB2ISO100*	2+12	14
2+14 way Single Door	CSDBSPNSD2+14MB2ISO100*	2+14	16

Double Door



Type	Product Code	No. of Modules (Incomer + Outgoing)	Total Modules
4 way Double Door	CSDBSPNDD04	4	4
8way Double Door	CSDBSPNDD08	8	8
12 way Double Door	CSDBSPNDD12	12	12
16 way Double Door	CSDBSPNDD16	16	16
2+4 way Double Door	CSDBSPNDD2+04MB2ISO100*	2+4	6
2+6 way Double Door	CSDBSPNDD2+06MB2ISO100*	2+6	8
2+8 way Double Door	CSDBSPNDD2+08MB2ISO100*	2+8	10
2+12 way Double Door	CSDBSPNDD2+12MB2ISO100*	2+12	14
2+14 way Double Door	CSDBSPNDD2+14MB2ISO100*	2+14	16

* with 2P 100A Isolator as incomer

TPN DB - Horizontal

Single Door



Type	Product Code	No. of Modules (Incomer + Outgoing)	Total Modules
4 way Single Door	CSDBTPNHSD04	8+12	20
6 way Single Door	CSDBTPNHSD06	8+18	26
8way Single Door	CSDBTPNHSD08	8+24	32
12 way Single Door	CSDBTPNHSD12	8+36	44
16 way Single Door	CSDBTPNHSD16	8+48	56

Double Door

Type	Product Code	No. of Modules (Incomer + Outgoing)	Total Modules
4 way Double Door	CSDBTPNHDD04	8+12	20
6 way Double Door	CSDBTPNHDD06	8+18	26
8way Double Door	CSDBTPNHDD08	8+24	32
12 way Double Door	CSDBTPNHDD12	8+36	44
16 way Double Door	CSDBTPNHDD16	8+48	56

Also available with 4P 100A Isolator as incomer

VTPN DB with provision for MCB as incomer


Type	Product Code	No. of Modules (Incomer + Outgoing)	Total Modules
4 way Double Door	CSDBTPNVDD04-L	8+12	20
8 way Double Door	CSDBTPNVDD08-L	8+24	32
12 way Double Door	CSDBTPNVDD12-L	8+36	44
4 way with 4P 125A Iso	CSDBTPNDD04MB4ISO125	8+12	20
8 way with 4P 125A Iso	CSDBTPNDD08MB4ISO125	8+24	32
12 way with 4P 125A Iso	CSDBTPNDD12MB4ISO125	8+36	44

PPI Distribution Board


Type	Product Code	No. of Modules (Incomer + Outgoing)	Total Modules
4 Way Double Door	CSDBTPNPPIDD04	8+12	20
6 Way Double Door	CSDBTPNPPIDD06	8+18	26
8 Way Double Door	CSDBTPNPPIDD08	8+24	32
12 Way Double Door	CSDBTPNPPIDD12	8+36	44

VTPN DB with provision for MCCB as incomer

(suitable for Winbreak CS3A, 3B and 3C three pole and four pole versions)

125A Winbreak MCCB incomer DB*



Type	Product Code
4 Way Double Door	CSDBMCCB125DD04IP43
8 Way Double Door	CSDBMCCB125DD08IP43
12 Way Double Door	CSDBMCCB125DD12IP43

225A Winbreak MCCB incomer DB*

Type	Product Code
4 Way Double Door	CSDBMCCB225DD04IP43
8 Way Double Door	CSDBMCCB225DD08IP43
12 Way Double Door	CSDBMCCB225DD12IP43

* Also available with MCCB installed

Quick Selection Table - Plug & Socket Distribution Board



Plug and Socket DB (without MCB)

Type	Product Code
10Amp SPN	CSDBPSSPN010
20Amp SPN	CSDBPSSPN020
20Amp TPN	CSDBPSTPN020
30Amp TPN	CSDBPSTPN030



Metal Enclosure (with Din Rail)

Type	Product Code
SP Enclosure	CSDBMCBESP
DP Enclosure	CSDBMCBEDP
TP Enclosure	CSDBMCBETP
FP Enclosure	CSDBMCBEFP

Plastic Enclosure

Type	Product Code
SP/DP	CSDBMCBEPSP
TP/FP	CSDBMCBEPTP

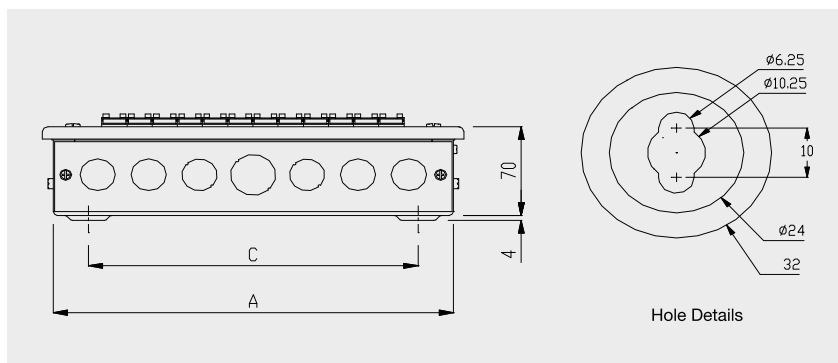
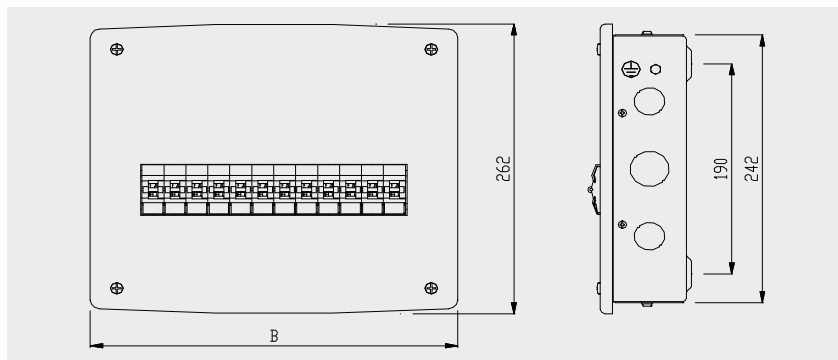
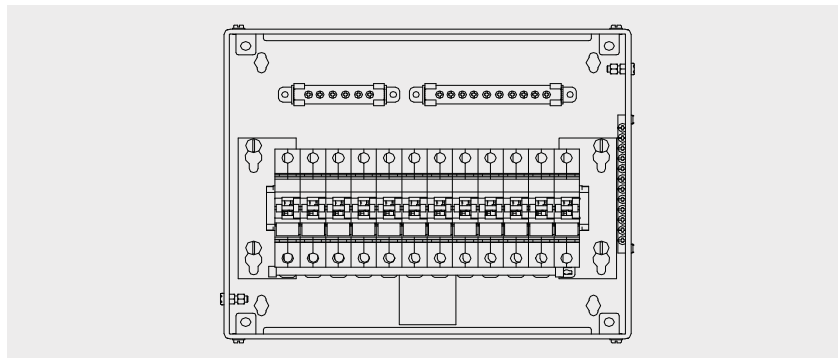


Plug & Socket (Metal Clad)

Type	Product Code
10Amp SPN Plug	CSDBPSPN010
10Amp SPN Socket	CSDBSSPN010
20Amp SPN Plug	CSDBPSPN020
20Amp SPN Socket	CSDBSSPN020
20Amp TPN Plug	CSDBPTPN020
20Amp TPN Socket	CSDBSTPN020
30Amp TPN Plug	CSDBPTPN030
30Amp TPN Socket	CSDBSTPN030

SPN DB
IP 20 Single Door

SPN 12 way SD DB



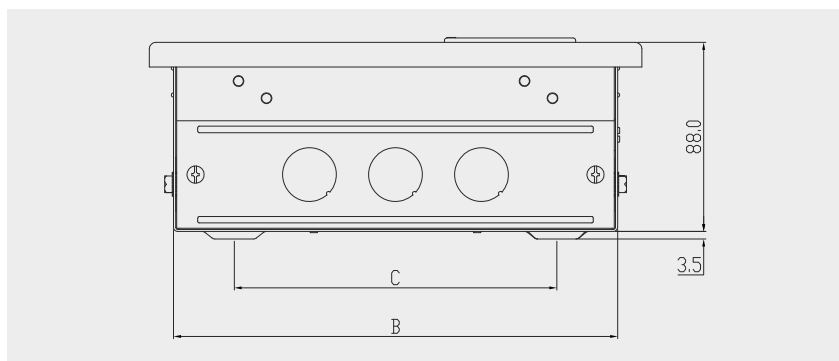
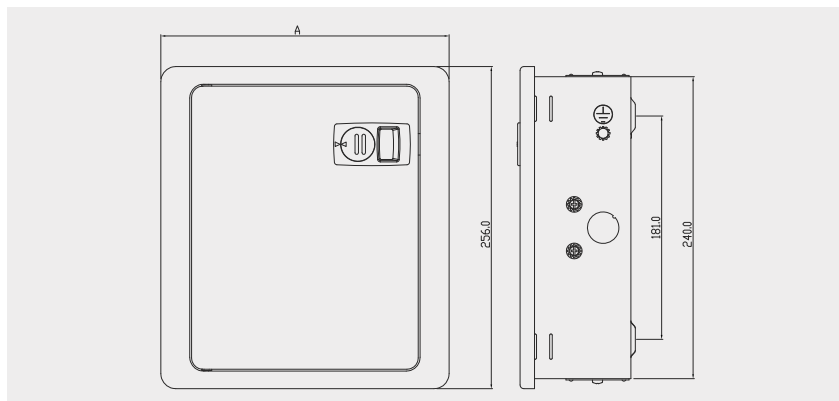
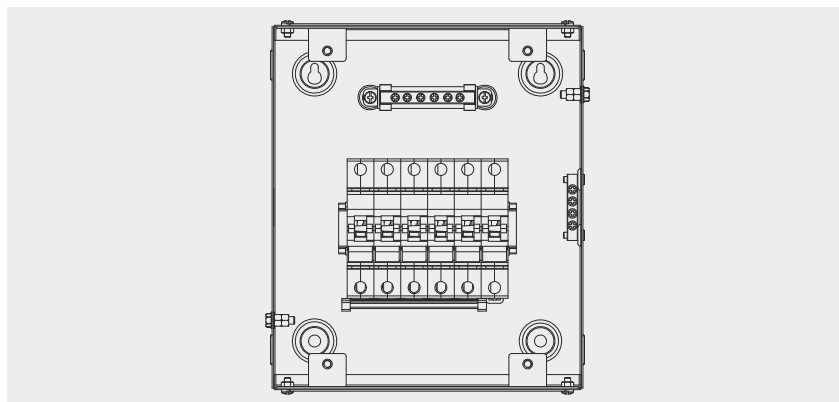
Product Code	No. of Ways	A	B	C	TOP		BOTTOM		SIDES	
					Ø32 K/out	Ø25 K/out	Ø32 K/out	Ø25 K/out	Ø32 K/out	Ø25 K/out
CSDBSPNSD04	4	139	154	89	1no.	2nos.	1no.	2nos.	1no.	2nos.
CSDBSPNSD08	8	211	226	161	1nos.	4nos.	1nos.	4nos.	1no.	2nos.
CSDBSPNSD12	12	283	298	233	1nos.	6nos.	1nos.	6nos.	1no.	2nos.
CSDBSPNSD16	16	355	370	305	1nos.	8nos.	1nos.	8nos.	1no.	2nos.
CSDBSPNSD2+04MB2ISO100	8	211	226	161	1nos.	4nos.	1nos.	4nos.	1no.	2nos.
CSDBSPNSD2+06MB2ISO100	8	211	226	161	1nos.	4nos.	1nos.	4nos.	1no.	2nos.
CSDBSPNSD2+08MB2ISO100	12	283	298	233	1nos.	6nos.	1nos.	6nos.	1no.	2nos.
CSDBSPNSD2+12MB2ISO100	16	355	370	305	1nos.	8nos.	1nos.	8nos.	1no.	2nos.
CSDBSPNSD2+14MB2ISO100	16	355	370	305	1nos.	8nos.	1nos.	8nos.	1no.	2nos.

All dimensions are in mm

Dimensions

SPN DB
IP 42 Double Door

SPN 2+4 way DD DB



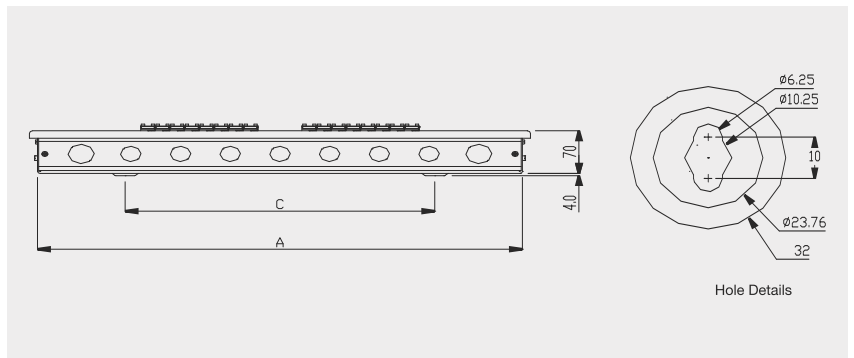
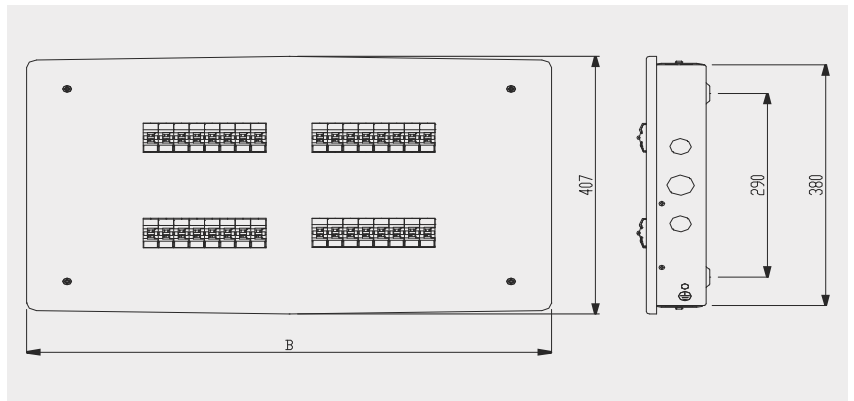
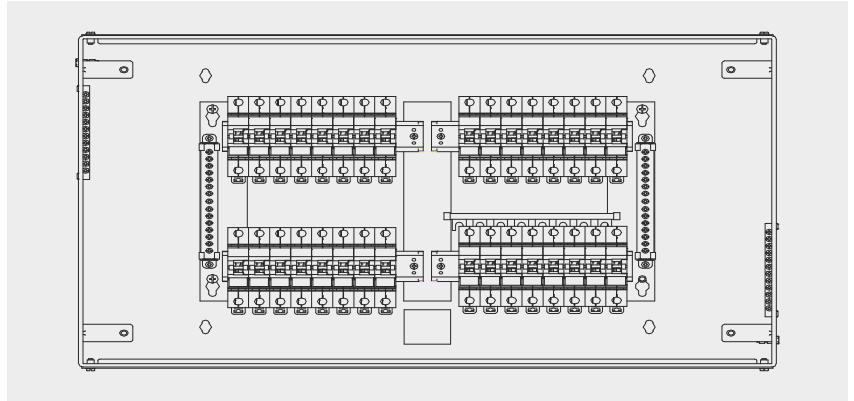
Product Code	No. of Ways	A	B	C	TOP/BOTTOM		SIDES
					Ø25 K/out	Ø31 K/out	Ø25 K/out
CSDBSPNDD2+04MB2ISO100	02+04	229.0	206.5	150.0	3no.	-	1no.
CSDBSPNDD2+06MB2ISO100	02+06	301.0	278.5	222.0	2nos.	2nos.	1no.
CSDBSPNDD2+08MB2ISO100	02+08	301.0	278.5	222.0	2nos.	2nos.	1no.
CSDBSPNDD2+10MB2ISO100	02+10	373.0	350.5	294.0	4nos.	2nos.	1no.
CSDBSPNDD2+12MB2ISO100	02+12	373.0	350.5	294.0	4nos.	2nos.	1no.
CSDBSPNDD2+14MB2ISO100	02+14	445.0	422.5	366.0	4nos.	2nos.	1no.

All dimensions are in mm

TPN Horizontal DB

IP 20 Single Door

TPN 8 way SD DB



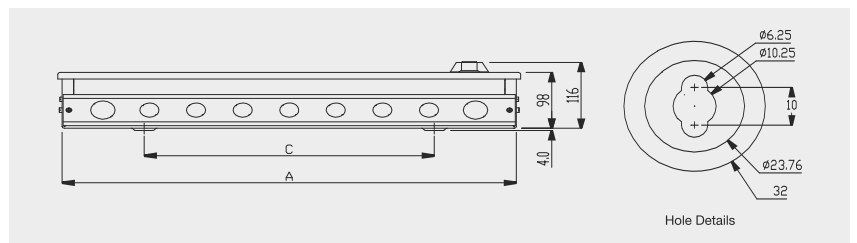
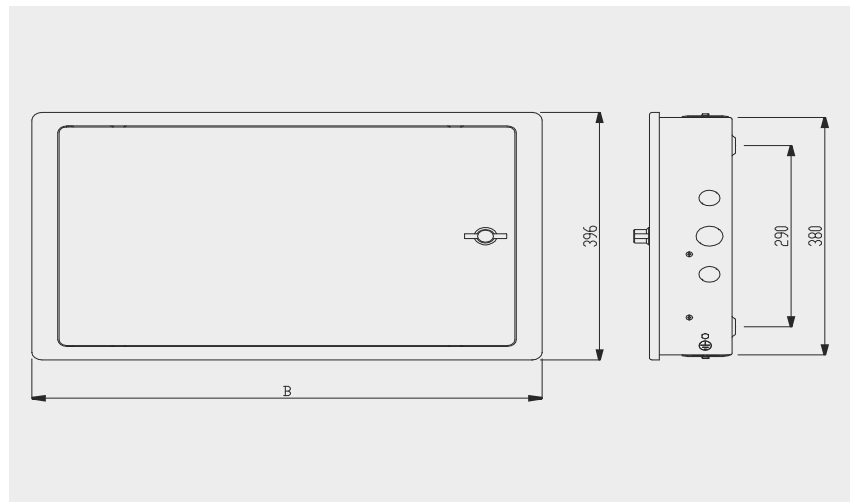
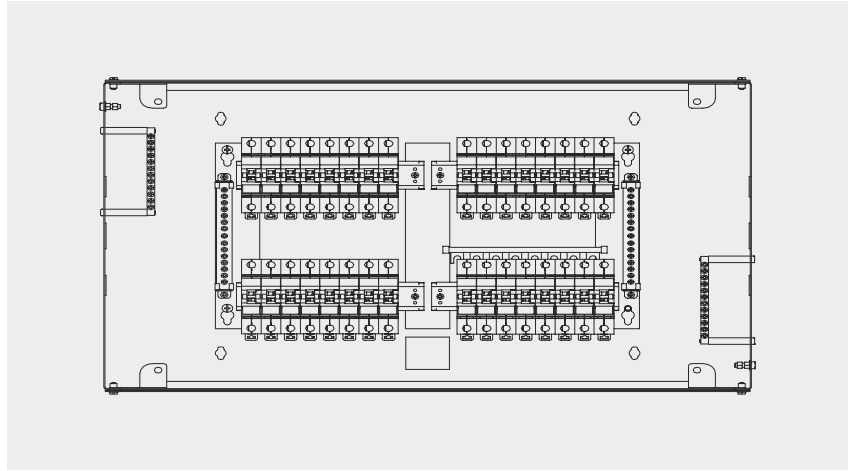
Product Code	No. of Ways	A	B	C	TOP		BOTTOM		SIDES	
					Ø32 K/out	Ø25 K/out	Ø32 K/out	Ø25 K/out	Ø32 K/out	Ø25 K/out
CSDBTPNHSD04	4	415	426	295	2nos.	4nos.	2nos.	4nos.	1no.	2nos.
CSDBTPNHSD06	6	450	470	330	2nos.	5nos.	2nos.	5nos.	1no.	2nos.
CSDBTPNHSD08	8	595	615	380	2nos.	7nos.	2nos.	7nos.	1no.	2nos.
CSDBTPNHSD12	12	740	760	430	2nos.	9nos.	2nos.	9nos.	1no.	2nos.
CSDBTPNHSD16	16	740	760	430	2nos.	9nos.	2nos.	9nos.	1no.	2nos.

All dimensions are in mm

TPN Horizontal DB

IP 42 Double Door

TPN 8 way DD DB

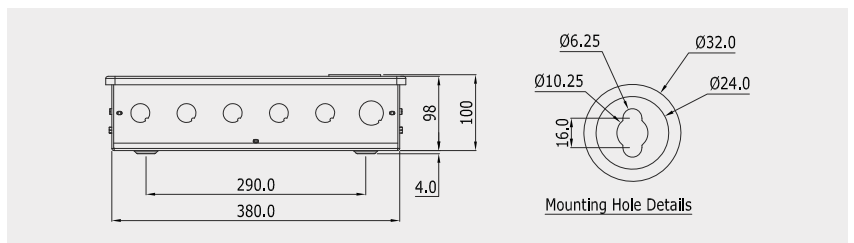
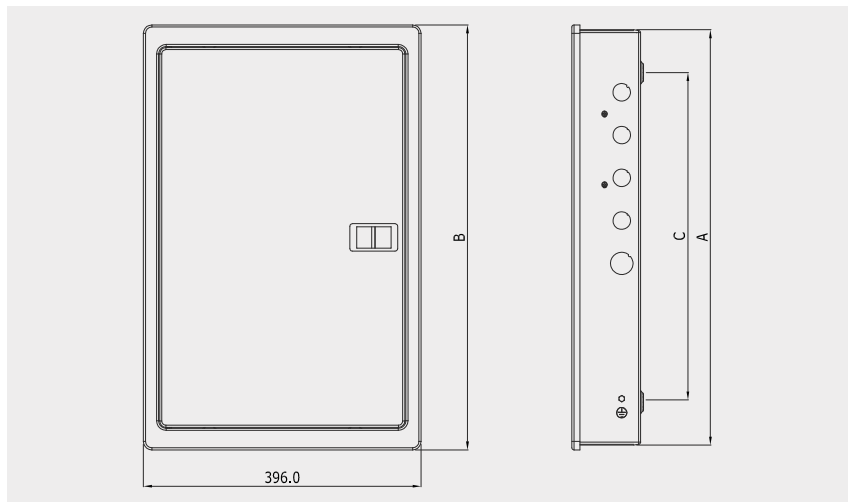
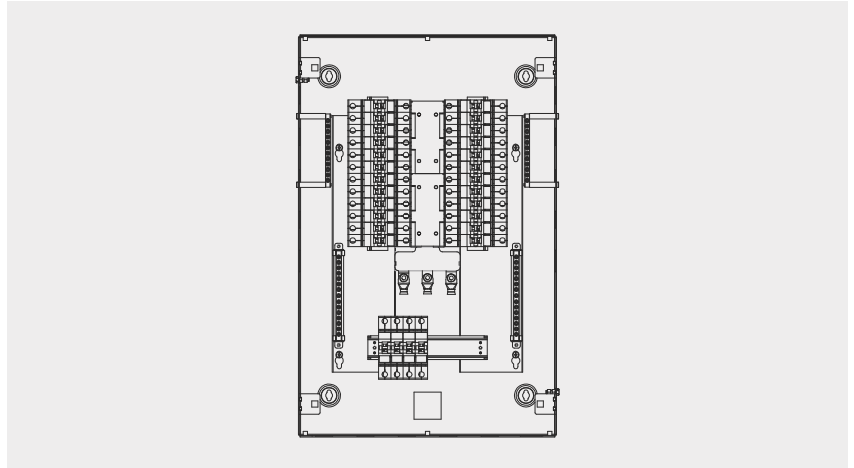


Product Code	No. of Ways	A	B	C	TOP		BOTTOM		SIDES	
					Ø32 K/out	Ø25 K/out	Ø32 K/out	Ø25 K/out	Ø32 K/out	Ø25 K/out
CSDBTPNHDD04	4	415	426	295	2no.	4nos.	2nos.	4nos.	1no.	2nos.
CSDBTPNHDD06	6	450	461	330	2nos.	5nos.	2nos.	5nos.	1no.	2nos.
CSDBTPNHDD08	8	595	606	380	2nos.	7nos.	2nos.	7nos.	1no.	2nos.
CSDBTPNHDD12	12	740	751	430	2nos.	9nos.	2nos.	9nos.	1no.	2nos.
CSDBTPNHDD16	16	740	751	430	2nos.	9nos.	2nos.	9nos.	1no.	2nos.

All dimensions are in mm

TPN Vertical DB with MCB as incomer
IP 42 Double Door

TPNV 8 way DD DB

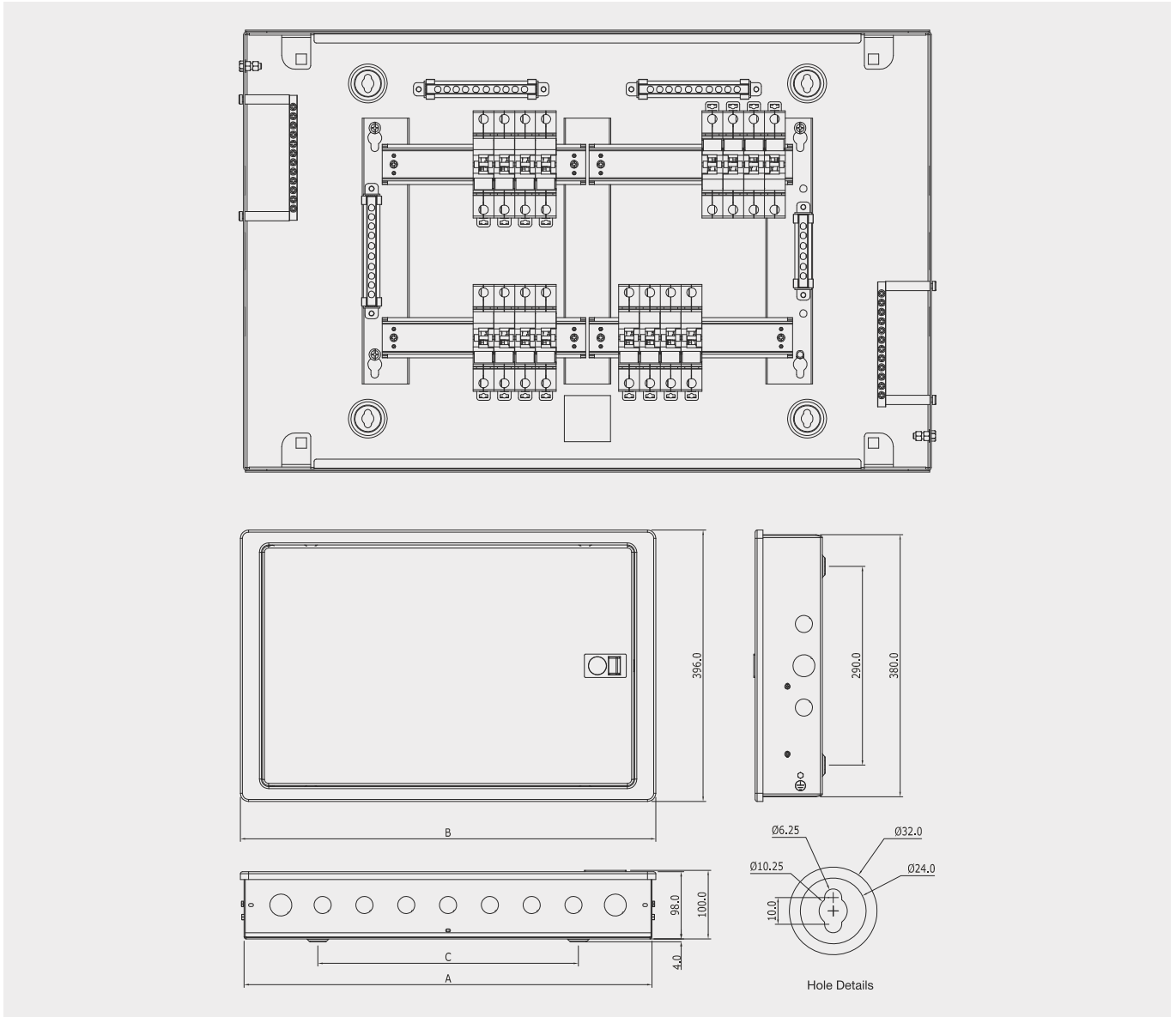


Product Code	No. of Ways	A	B	C	TOP		BOTTOM		SIDES	
					Ø32 K/out	Ø25 K/out	Ø32 K/out	Ø25 K/out	Ø32 K/out	Ø25 K/out
CSDBTPNVDD04	4	445	461	325	1 no.	5 nos.	1 no.	5 nos.	1 no.	4 nos.
CSDBTPNVDD08	8	590	606	470	1 no.	5 nos.	1 no.	5 nos.	1 no.	4 nos.
CSDBTPNVDD12	12	735	751	615	1 no.	5 nos.	1 no.	5 nos.	1 no.	4 nos.
CSDBTPNDD04MB4ISO125	4	445	461	325	1 no.	5 nos.	1 no.	5 nos.	1 no.	4 nos.
CSDBTPNDD08MB4ISO125	8	590	606	470	1 no.	5 nos.	1 no.	5 nos.	1 no.	4 nos.
CSDBTPNDD12MB4ISO125	12	735	751	615	1 no.	5 nos.	1 no.	5 nos.	1 no.	4 nos.

All dimensions are in mm

Dimensions

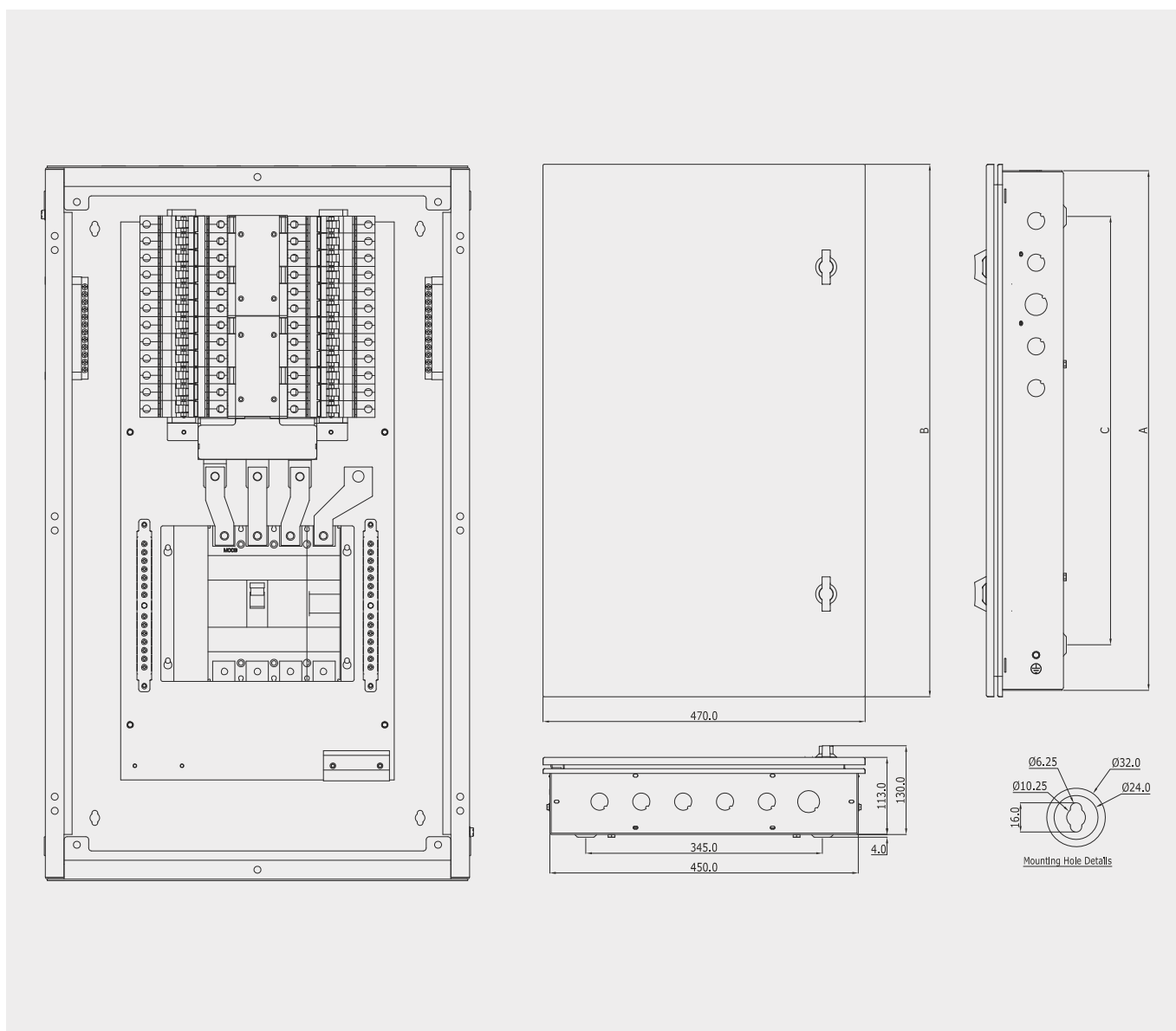
TPNH PPI DB IP 42 Double Door



Product Code	No. of Ways	A	B	C	TOP		BOTTOM		SIDES	
					Ø32 K/out	Ø25 K/out	Ø32 K/out	Ø25 K/out	Ø32 K/out	Ø25 K/out
CSDBTPNPPIDD04	4	415	426	295	2 no.	4 nos.	2 nos.	4 nos.	1 no.	2 nos.
CSDBTPNPPIDD06	6	450	461	330	2 nos.	5 nos.	2 nos.	5 nos.	1 no.	2 nos.
CSDBTPNPPIDD08	8	595	606	380	2 nos.	7 nos.	2 nos.	7 nos.	1 no.	2 nos.
CSDBTPNPPIDD12	12	740	751	430	2 nos.	9 nos.	2 nos.	9 nos.	1 no.	2 nos.

All dimensions are in mm

TPNV DB with MCCB as incomer IP 43 Double Door

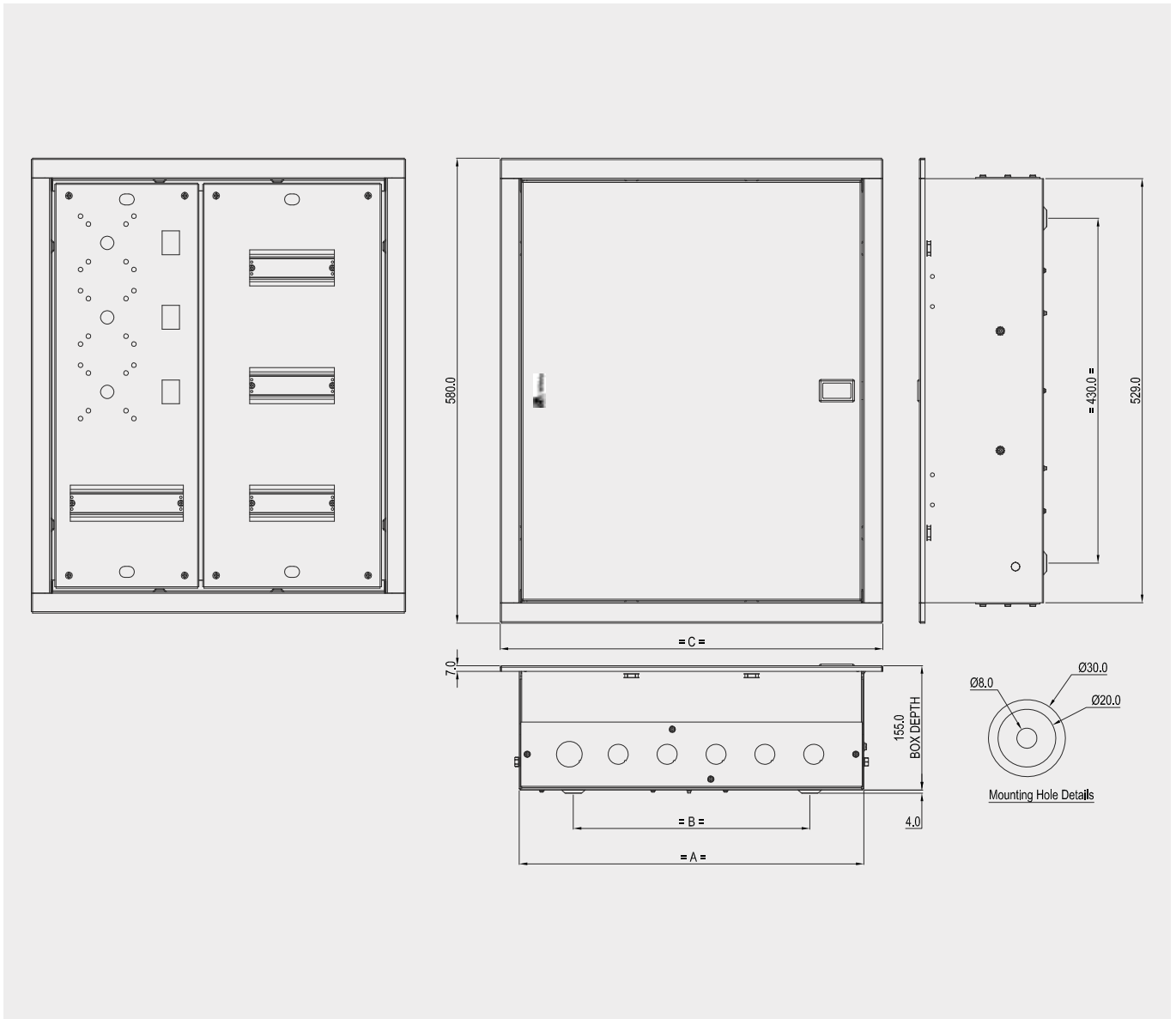


Product Code	No. of Ways	A	B	C	TOP		BOTTOM		SIDES	
					Ø32 K/out	Ø25 K/out	Ø32 K/out	Ø25 K/out	Ø32 K/out	Ø25 K/out
CSDBMCCB125DD04IP43	4	653	669	517	1 nos.	5 nos.	1 nos.	5 nos.	1 no.	4 nos.
CSDBMCCB125DD08IP43	8	761	777	625	1 nos.	5 nos.	1 nos.	5 nos.	1 no.	4 nos.
CSDBMCCB125DD12IP43	12	869	885	733	1 nos.	5 nos.	1 nos.	5 nos.	1 no.	4 nos.
CSDBMCCB225DD04IP43	4	653	669	517	1 nos.	5 nos.	1 nos.	5 nos.	1 no.	4 nos.
CSDBMCCB225DD08IP43	8	761	777	625	1 nos.	5 nos.	1 nos.	5 nos.	1 no.	4 nos.
CSDBMCCB225DD12IP43	12	869	885	733	1 nos.	5 nos.	1 nos.	5 nos.	1 no.	4 nos.

All dimensions are in mm

Dimensions

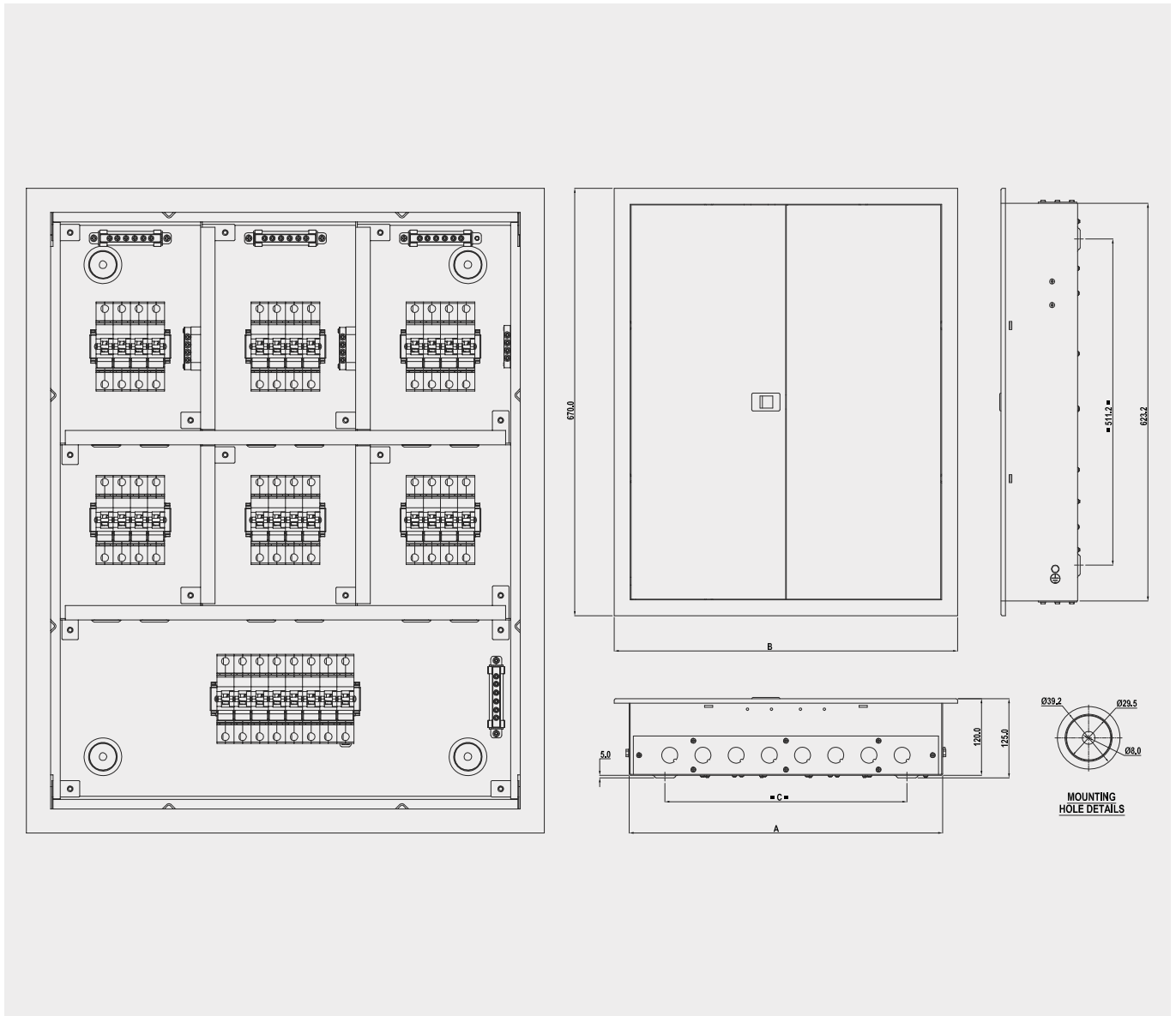
TPNH Phase Selector DB IP 42 Double Door



Product Code	No. of Ways	A	B	C	TOP		BOTTOM	
					$\varnothing 32$ Knock out	$\varnothing 25$ Knock out	$\varnothing 32$ Knock out	$\varnothing 25$ Knock out
CSDBPSDD04	4	395	295	443	1 nos.	4 nos.	1 nos.	4 nos.
CSDBPSDD06	6	430	330	478	1 nos.	5 nos.	1 nos.	5 nos.
CSDBPSDD08	8	465	365	513	1 nos.	5 nos.	1 nos.	5 nos.
CSDBPSDD012	12	540	440	588	1 nos.	7 nos.	1 nos.	7 nos.

All dimensions are in mm

7 Segment DB
IP 20 Single Door

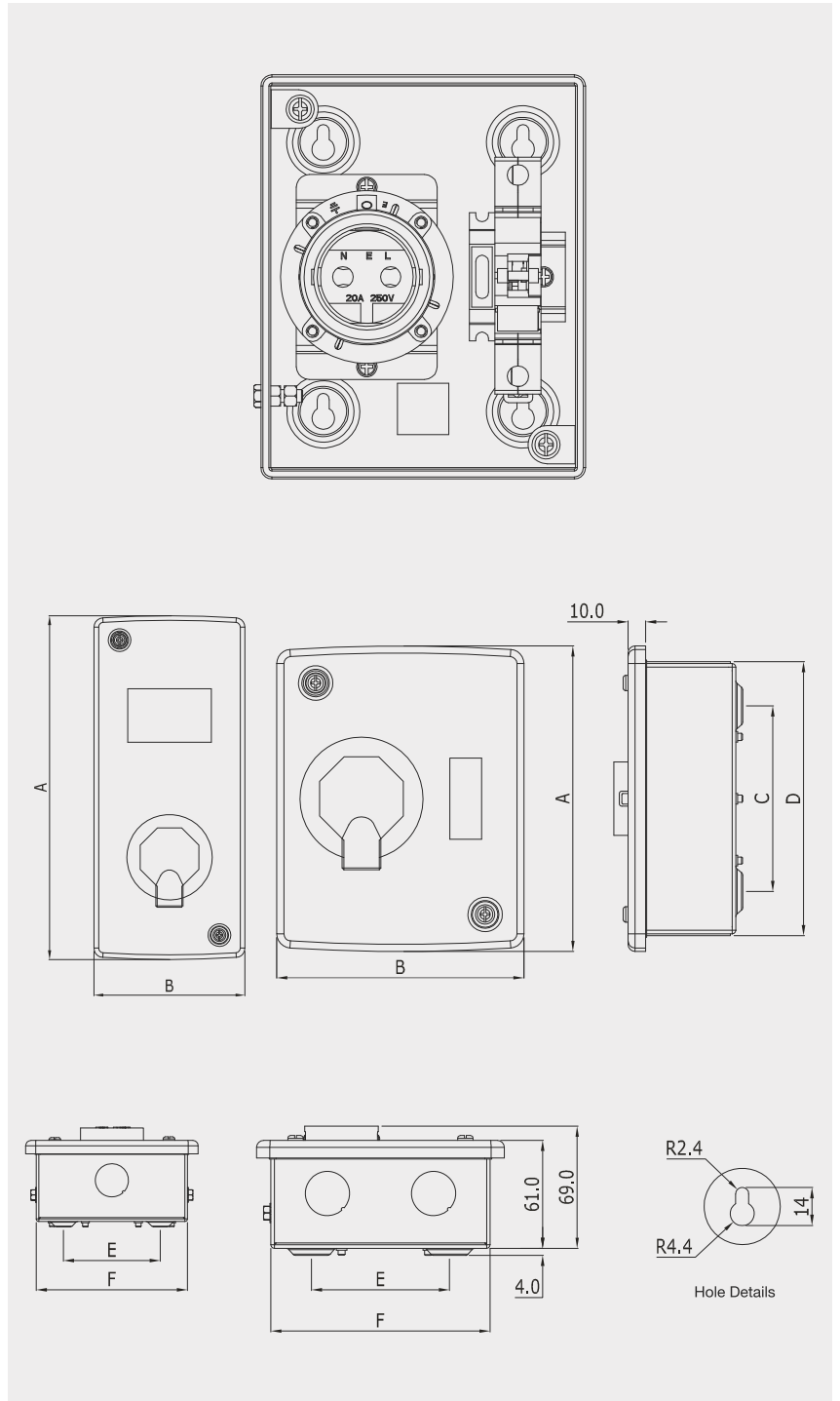


Product Code	No. of Ways	A	B	C	TOP	BOTTOM
					Ø32 Knock out	Ø32 Knock out
CSDB7SEGDD04	4	491	537.8	603	8 nos.	8 nos.
CSDB7SEGDD06	6	596	642.8	708	8 nos.	8 nos.
CSDB7SEGDD08	8	701	747.8	813	10 nos.	10 nos.
CSDB7SEGDD012	12	911	957.8	1023	12 nos.	12 nos.

All dimensions are in mm

Dimensions

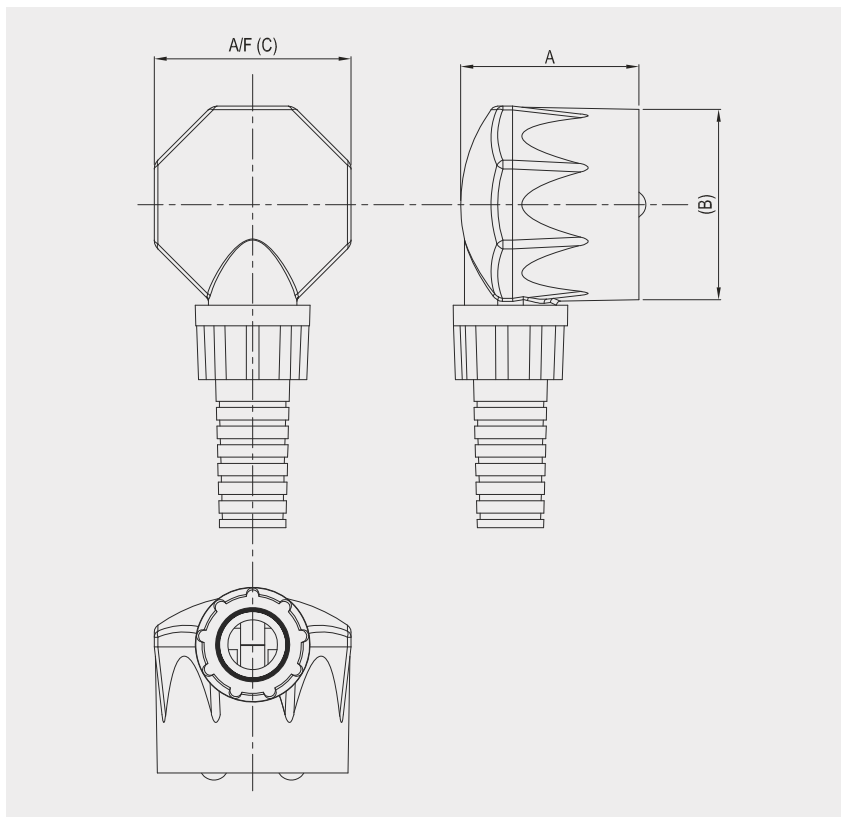
Plug & Socket IP 20 Single Door



							TOP	BOTTOM
Product Code	A	B	C	D	E	F	Ø25 K/out	Ø25 K/out
CSDBPSSPN010	173	140	105	153	78	124	2 nos.	2 nos.
CSDBPSSPN020	173	140	105	153	78	124	2 nos.	2 nos.
CSDBPSTPN020	296	130	234	276	73	114	1 no.	1 no.
CSDBPSTPN030	296	130	234	276	73	114	1 no.	1 no.

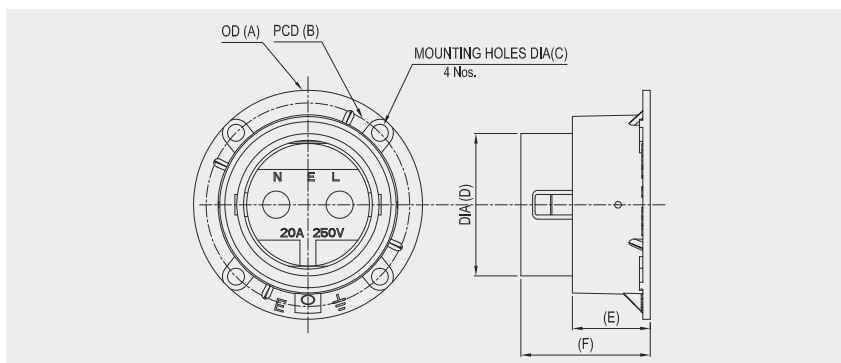
All dimensions are in mm

Plug



Product Code	Description	A	B	A/F (C)
CSDBP30ATPN	PLUG 30A TPN	74	62.5	68
CSDBP20ATPN	PLUG 20A TPN	46	52.5	57
CSDBP20ASPN	PLUG 20A SPN	43	46	47.5
CSDBP10ASPN	PLUG 10A SPN	38	40	42

Socket



Product Code	Description	Ø A	B	Ø C	Ø D	E	F
CSDBS30ATPN	SOCKET 30A TPN	84	PCD75	5	56.5	31.5	55
CSDBS20ATPN	SOCKET 20A TPN	75	PCD68	5	56.5	31.5	55
CSDBS20ASPN	SOCKET 20A SPN	67.5	PCD60	5	56.5	31.5	55
CSDBS10ASPN	SOCKET 10A SPN	57	PCD50.8	5	56.5	31.5	55

Other Protection Range

WiNtrip Distribution Boards are ideally suitable for mounting WiNtrip protection devices like MCB, RCCB & Isolators. It provides enhanced life & performance as a complete system.

WiNtrip MCB



Safe | Convenient | Energy Saving | Wide range



- Wide range MCB suitable for AC & DC applications
- IP 20 Degree Protection
- Trip Free Mechanism with Padlocking Facility
- Low Power Consumption - energy saving
- Current Limiting Design - Class 3
- Engineering grade Thermo Plastic Housing
- Conforms to IEC 60898 / 158828 / IEC 947

	MCB - AC	MCB - DC	Isolator
Rating	0.5 ~ 125A	0.5A ~ 63A	25 ~ 125A
# of Poles	1P, 1P+N, 2P, 3P, 3P+N & 4P	1P & 2P	1P, 2P, 3P & 4P
Breaking Capacity	10kA	4kA	-
Tripping Characteristic	B, C & D	-	-



IP 20 Degree Protection



Padlocking Facility



High terminal capacity



Legend Plate



Low power consumption



Wide range

WiNtrip RCCB



- Provides protection against earth fault/leakage current and also fulfill the function of isolation.
- Measures and disconnects the circuit when earth fault / leakage current exceeds the rated sensitivity.
- High short-circuit current withstand capacity - 6kA
- Dual termination for cable and comb type busbar connection
- Equipped with finger protected connection terminals (IP20)
- Fire resistant plastic housing
- Independent of power supply and line voltage - free from external voltage fluctuation.
- Incorporates a filtering device for prevention of nuisance tripping due to transient voltage
- Easy padlocking facility.

WiNtrip RCCB range & selection

Two Pole		
Rated Current	Sensitivity	Reference
25	30mA	CSRB2P25A30
	100mA	CSRB2P25A100
	300mA	CSRB2P25A300
40	30mA	CSRB2P40A30
	100mA	CSRB2P40A100
	300mA	CSRB2P40A300
63	30mA	CSRB2P63A30
	100mA	CSRB2P63A100
	300mA	CSRB2P63A300

Four Pole		
Rated Current	Sensitivity	Reference
25	30mA	CSRB4P25A30
	100mA	CSRB4P25A100
	300mA	CSRB4P25A300
40	30mA	CSRB4P40A30
	100mA	CSRB4P40A100
	300mA	CSRB4P40A300
63	30mA	CSRB4P63A30
	100mA	CSRB4P63A100
	300mA	CSRB4P63A300

Performance

Type AC



Rated Current setting I_n	A	25, 40, 63
Residual current $I_{\Delta n}$	mA	30, 100, 300
Rated voltage AC U_n	V	2P: 240; 4P: 415
Operating voltage U_{bmin}	V	2P: 100; 4P: 190
Mechanical life		20000
Electrical life		10000
Tropicalisation acc.to EN/IEC 60068-2-28/2-30 and DIN 40046		95% RH at 55 °C
Terminal capacity flexible/rigid cable	mm ²	25/25
Poles		2, 4
Nuisance tripping resistance		250A 8/20us; 200A 0.5us - 100kHz
Ambient temperature	°C	-5 upto 40
Weight	g	2P- 224.5; 4P-409

Short-circuit Capacity

Acc. to EN/IEC 61008-1	$I_m = 500A$
Making and breaking capacity	$I_{\Delta m} \geq 500A$ from 16 upto 40A $I_{\Delta m} = 10I_n$ from 63 upto 100A
Short-circuit capacity	$I_{nc} = 6000A$ at 240/415V Fuse 80A gG

Sensitivity Selection Criteria

Sensitivity	Application
30mA	Protection against direct contact with earth loop impedance up to 1667 Ohms - shock hazards.
100mA	Protection against indirect contact and leakage current for larger installations with earth loop impedance up to 500 ohms (Operate within 30 ms) - shock & fire hazards.
300mA	Protection against indirect contact and leakage current for larger installations with earth loop impedance up to 167 ohms - fire hazards.

www.cselectric.co.in

WiNtrip



THE PROTECTOR

Life saver. Energy saver.

C&S Electric Limited

Corporate Office : 222, Okhla Industrial Estate, New Delhi - 110 020
Tel. : +91-11-3088 7520 - 29, Fax: +91-11-2684 7154, 2682 9063

Central Marketing Office: Tel. : +91-11-3088 7520-29, Fax: +91-11-2684 8241, 2684 7342
email : cmo@cselectric.co.in, info@cselectric.co.in Website: www.cselectric.co.in

International Business Division: Tel. : +91-11-4161 3503, 3088 7520-29, Fax: +91-11-2683 8291, 2684 7342
email : exports@cselectric.co.in



We touch your electricity everyday!