

## C&S Electric Ltd.

C&S Electric is amongst the leading suppliers of electrical equipment in India and is India's largest exporter of industrial switchgear. It's wide range of electrical and electronic products find application in power generation, distribution, control, protection and final consumption.

The business operations of C&S Electric are divided in the following 3 strategic business units (SBUs)

- (1) Switchgear & Protection SBU
- (2) Power Busbars SBU
- (3) Lighting & Wiring Accessories SBU

## Lighting & Wiring Accessories Division SBU



C&S LWA is the pioneer in providing lighting solution. The company operates on solution based approach. Company product range includes-

- Domestic Luminaires
- Commercial Luminaires
- Industrial Luminaires
- Flood Luminaires
- Street Luminaires
- Landscape Luminaires
- Functional Luminaires
- Poles

The Company has a national presence through its 20 marketing offices & over 100 dealers spread across the country. The production and R&D facilities are based in Haridwar in a C&S production complex spread over 15 acres. This allows the company to leverage the synergies and strengths of the group. Our products not only deliver the highest performance and electrical specifications, but are also designed keeping in mind the highest standards of aesthetics and functionality. It is for this reason that in a short period of time we have been able to service some of the most fastidious and discerning customers in India and have developed a strong reference list of customers and projects. Our highly focused group of technocrats with sales engineers consistently keep working to ensure a continuous flow of innovative world class products to the customers.

## Features

### Non- Corrosive

All poles are manufactured as per ART® process ensuring that it stands in all the environmental condition and last for long.

### Robust Design

Poles are designed for maximum strength to withstand with wind loads and perform with the endless variety of fixtures.

### Long Life

All the poles are designed to stay for longer life thus TCO (Total cost of ownership) is reduced.

### Versatility

Decorative poles are available in different shapes, sizes and colors to beautify your luminaires.

### Architectural Design

Our decorative designs ensure the proper match for your architectural requirements and give new dimension to your landscapes.



We touch your electricity everyday!

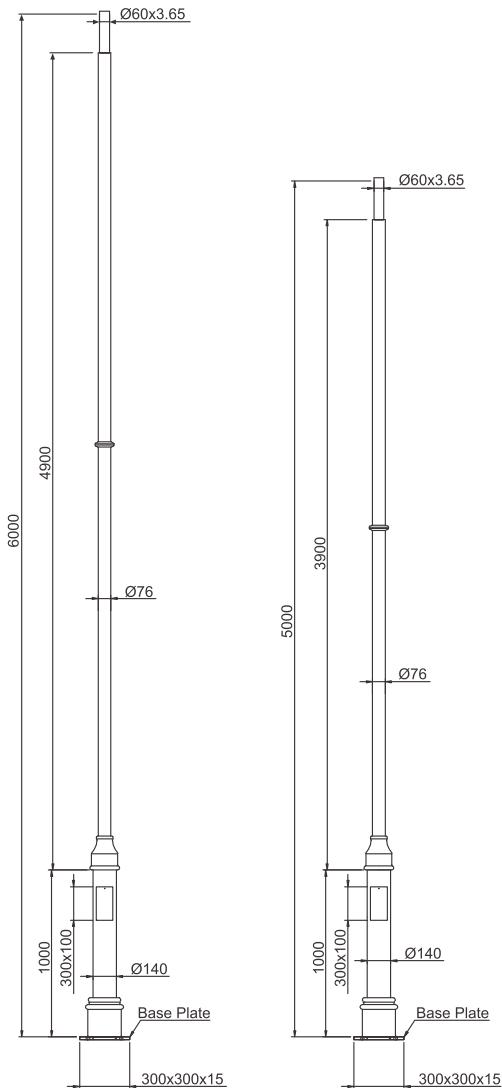
## Manufacturing

State of the art manufacturing facility using mechanised system of manufacturing. All the poles are conceived and designed with computer aided software ensuring proper strength. Our ART® manufacturing process make our poles non corrosive and long life.

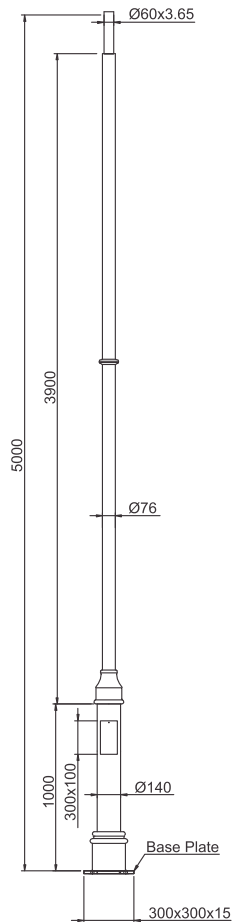


We touch your electricity everyday!

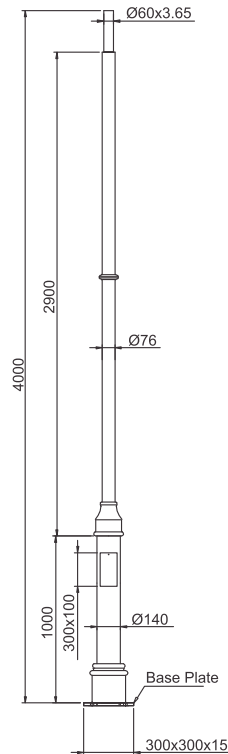
Non corrosive architectural poles for  
deco lantern installation.



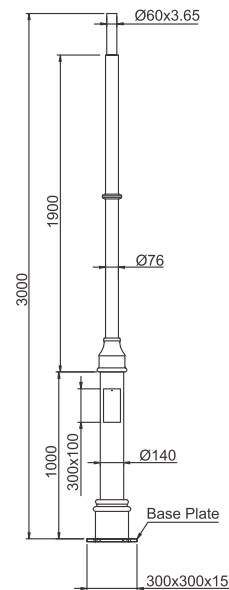
LTP AVON/6



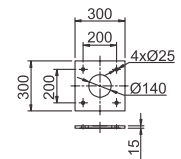
LTP AVON/5



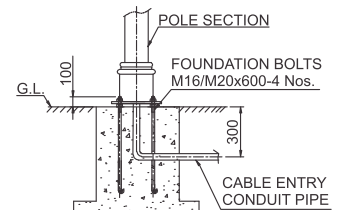
LTP AVON/4



LTP AVON/3



BASE PLATE DETAIL



FOUNDATION DETAIL

### Features:-

- Architectural design
- Robust design and structural integrity
- MS/GI ERW circular pipe section
- Cast iron establishments
- UV stabilised poly urethane painted
- 3-6 meter height
- Corrosion resistant and longevity
- Vandal resistant & durable
- Simple foundation integration
- Easy and quick to erect

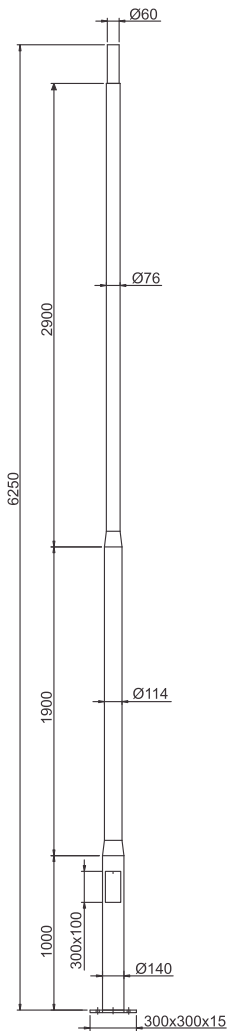
### Applications:-

- Landscape lighting
- Parks & Gardens
- Street Lighting
- Pathway lighting
- Area Lighting
- Service Road

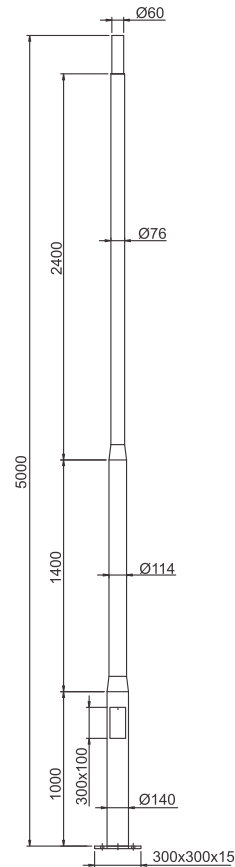


# DEUCE-I

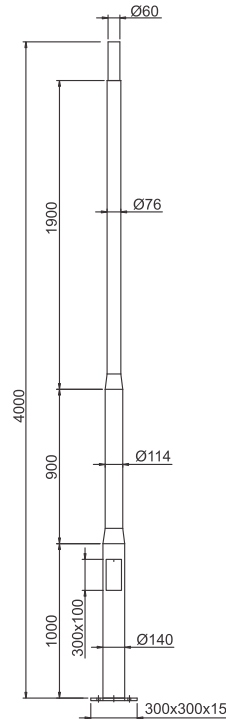
Non corrosive architectural poles for deco lantern installation.



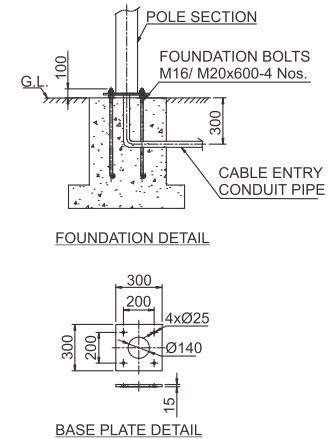
LTP DEUCEI/6



LTP DEUCEI/5



LTP DEUCEI/4



## Features:-

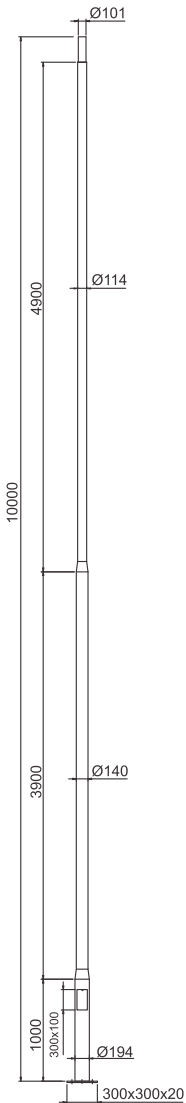
- Architectural design
- Robust design and structural integrity
- MS/GI ERW circular pipe section
- Cast iron establishments
- UV stabilised poly urethane painted
- 3-6 meter height
- Corrosion resistant and longevity
- Vandal resistant & durable
- Simple foundation integration
- Easy and quick to erect

## Applications:-

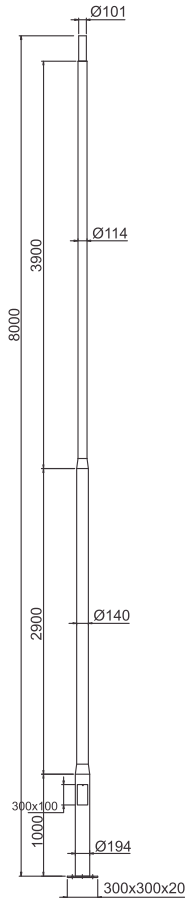
- Landscape lighting
- Parks & Gardens
- Street Lighting
- Pathway lighting
- Area Lighting
- Service Road

## DEUCE-II

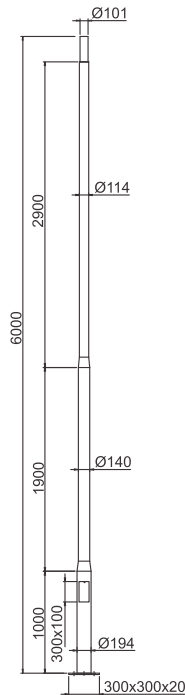
Non corrosive architectural poles for  
deco lantern  
installation.



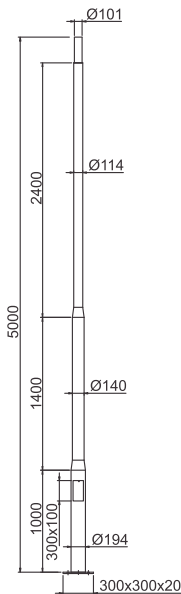
LTP DEUCEII/10



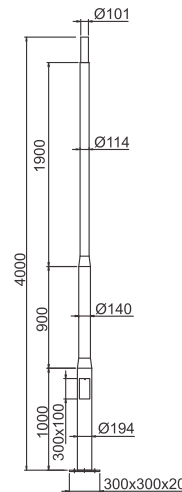
LTP DEUCEII/8



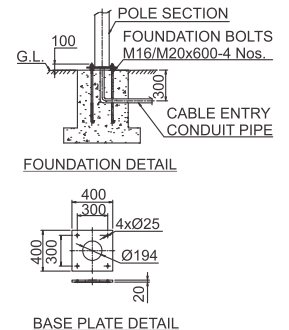
LTP DEUCEII/6



LTP DEUCEII/5



LTP DEUCEII/4



### Features:-

- Architectural design
- Robust design and structural integrity
- MS/GI ERW circular pipe section
- Cast iron establishments
- UV stabilised poly urethane painted
- 4-10 meter height
- Corrosion resistant and longevity
- Vandal resistant & durable
- Simple foundation integration
- Easy and quick to erect

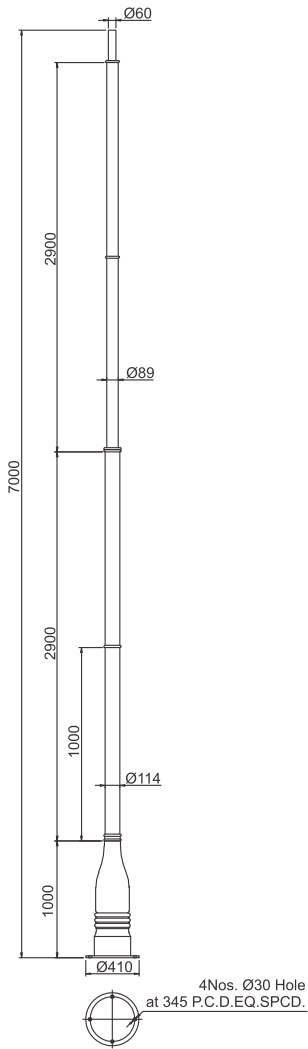
### Applications:-

- Landscape lighting
- Parks & Gardens
- Street Lighting
- Pathway lighting
- Area Lighting
- Service Road

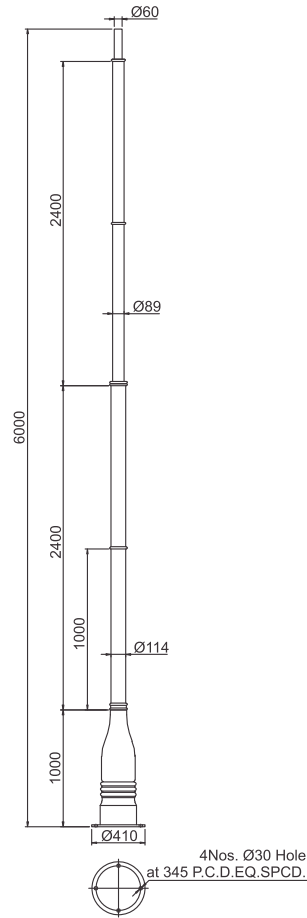


# Victor

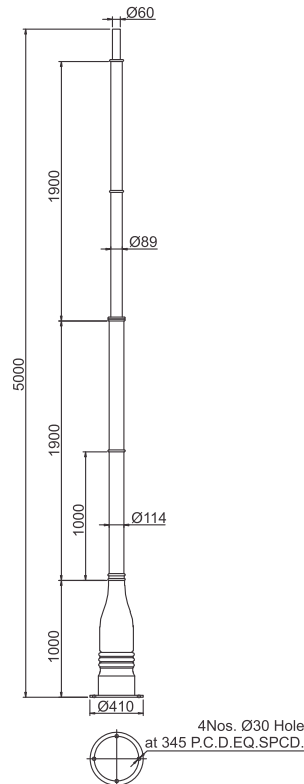
Non corrosive architectural poles for  
deco lantern installation.



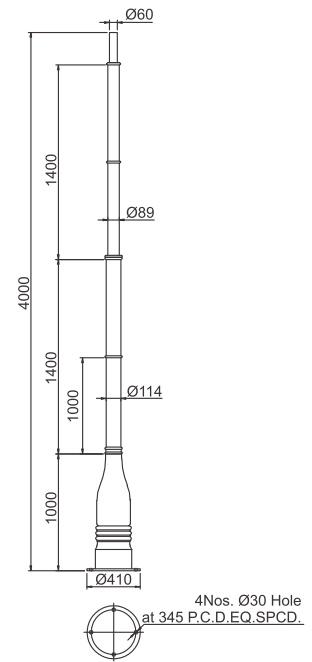
LTP VICT/7



LTP VICT/6



LTP VICT/5



LTP VICT/4



## Features:-

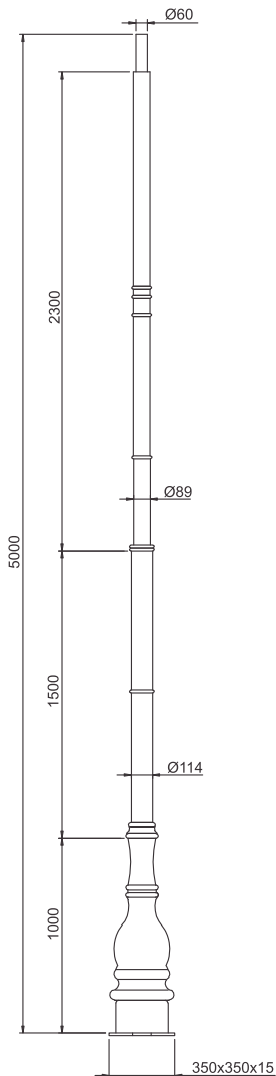
- Architectural design
- Robust design and structural integrity
- MS/GI ERW circular pipe section
- Cast iron establishments
- UV stabilised poly urethane painted
- 3-7 meter height
- Corrosion resistant and longevity
- Vandal resistant & durable
- Simple foundation integration
- Easy and quick to erect

## Applications:-

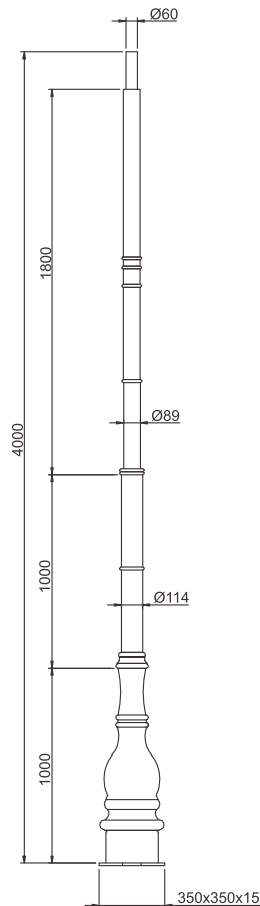
- Landscape lighting
- Parks & Gardens
- Street Lighting
- Pathway lighting
- Area Lighting
- Service Road



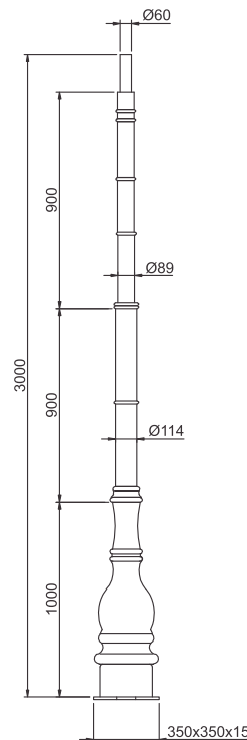
Non corrosive architectural poles for deco lantern installation.



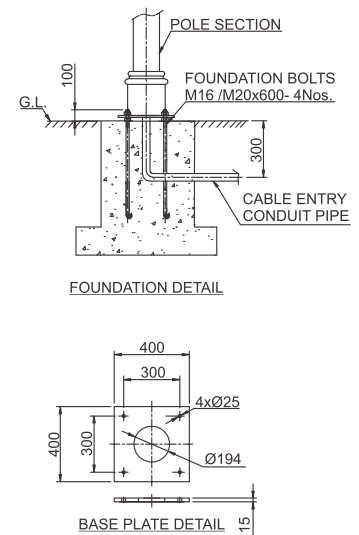
LTP EKON/5



LTP EKON/4



LTP EKON/3



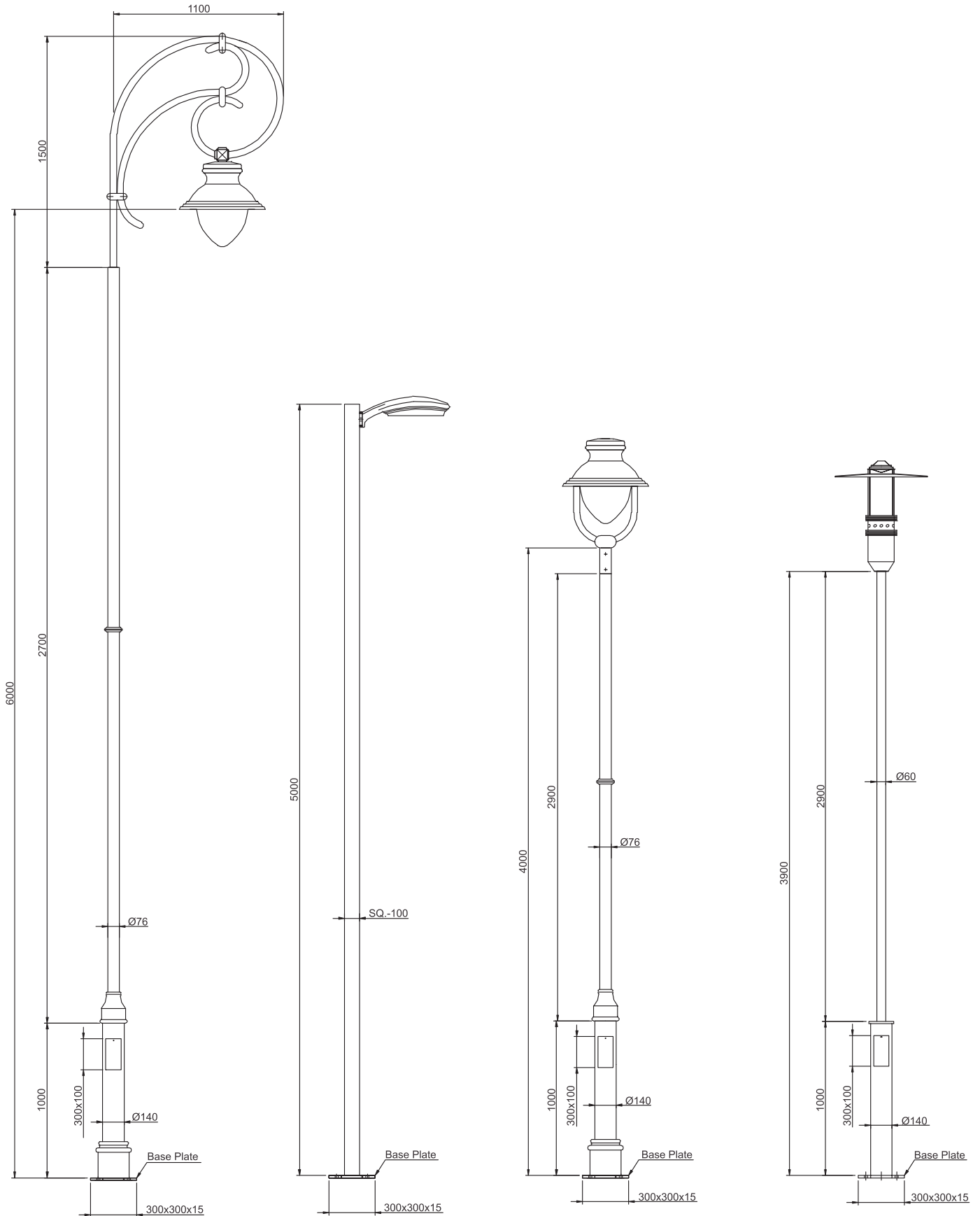
### Features:-

- Architectural design
- Robust design and structural integrity
- MS/GI ERW circular pipe section
- Cast iron establishments
- UV stabilised poly urethane painted
- 3-5 meter height
- Corrosion resistant and longevity
- Vandal resistant & durable
- Simple foundation integration
- Easy and quick to erect

### Applications:-

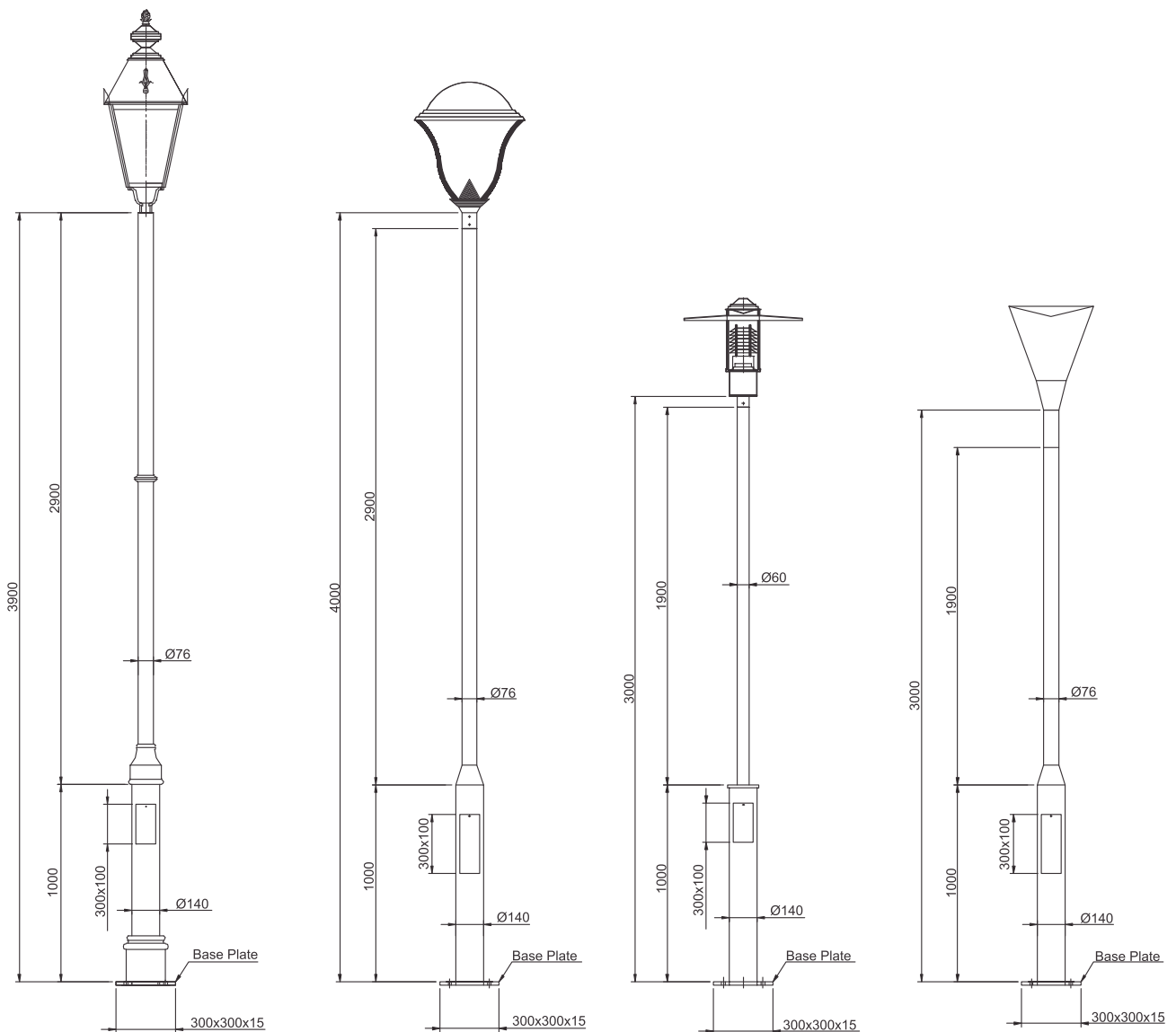
- Landscape lighting
- Parks & Gardens
- Street Lighting
- Pathway lighting
- Area Lighting
- Service Road

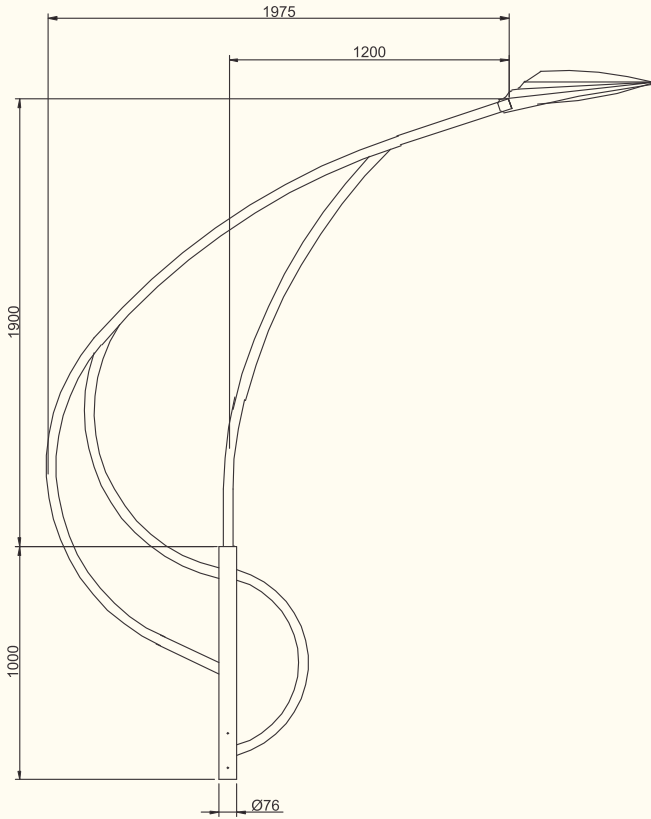




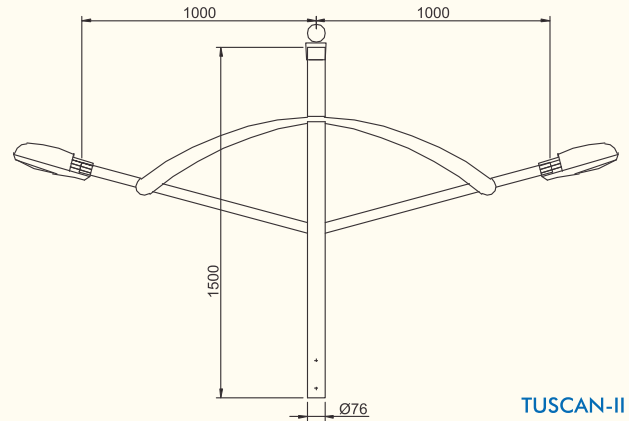


## POLES WITH FIXTURES

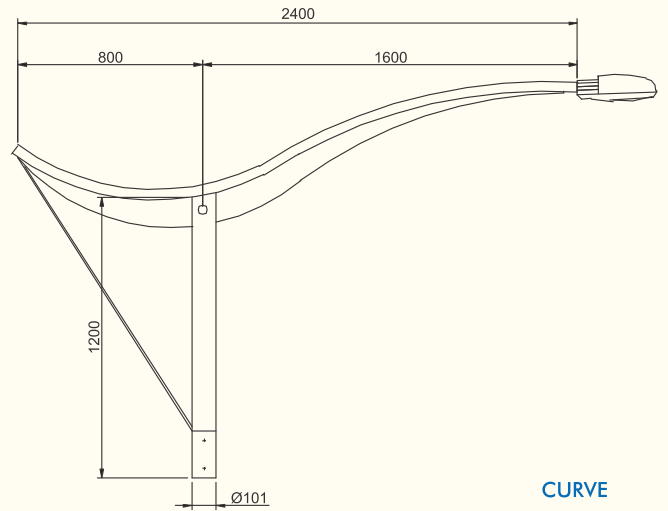




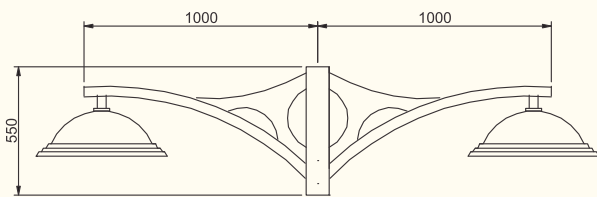
S-CURVE



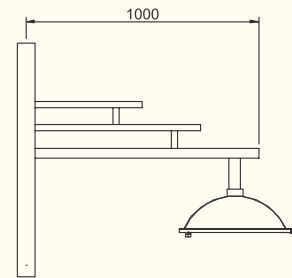
TUSCAN-II



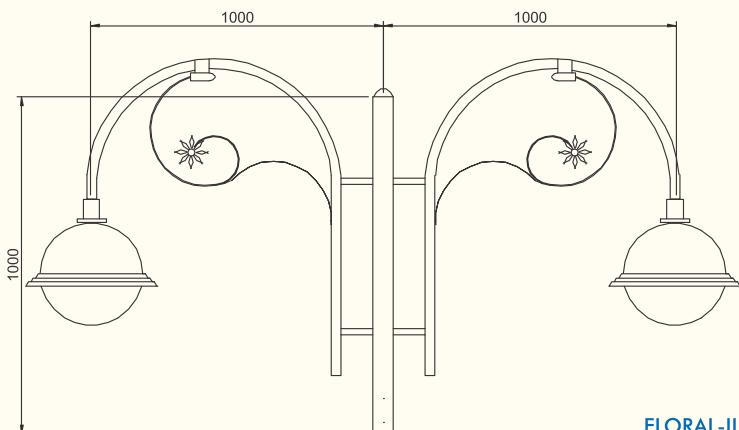
CURVE



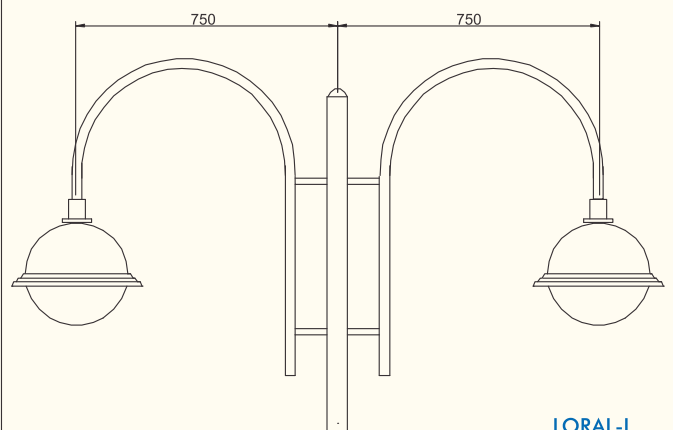
BATWING-D



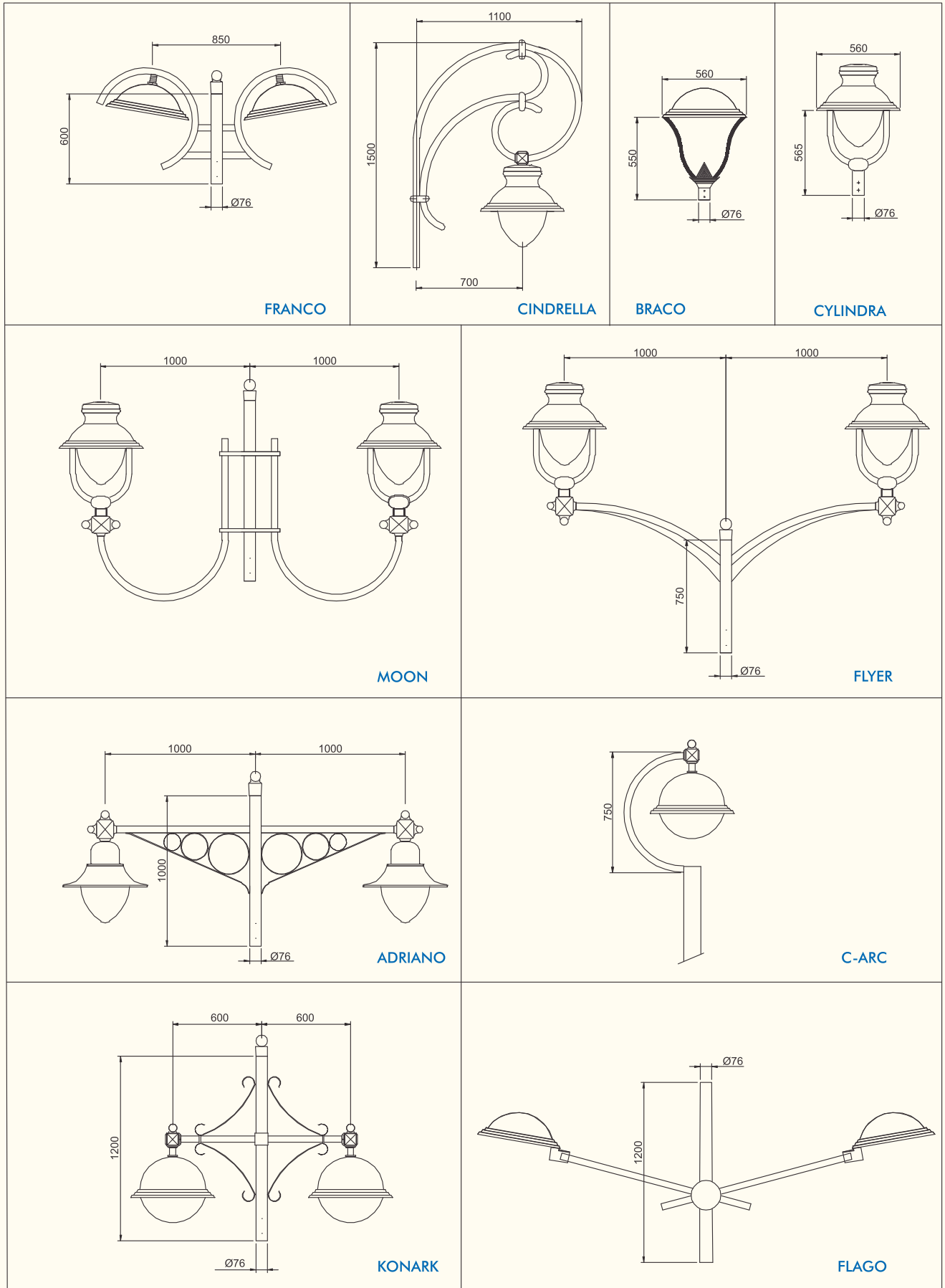
STERA

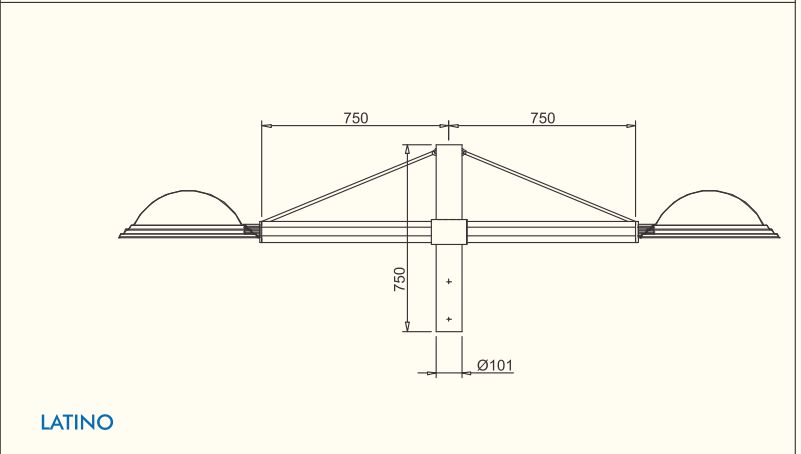
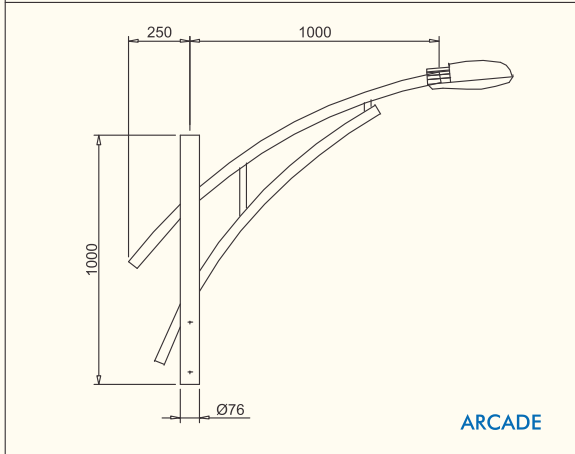
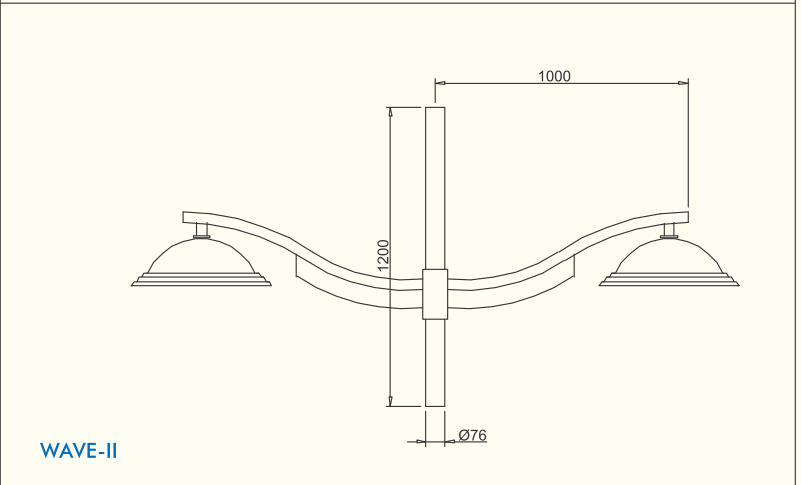
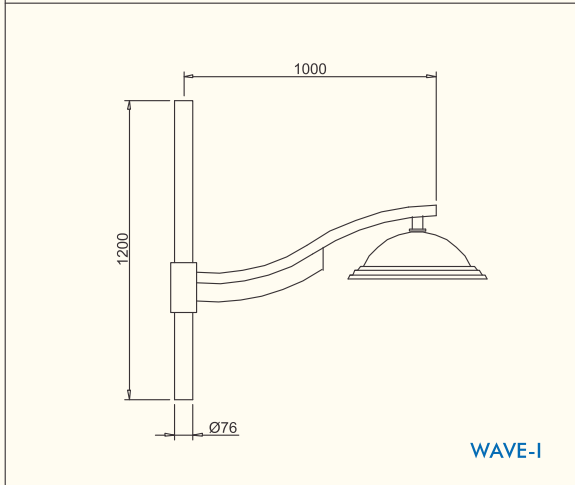
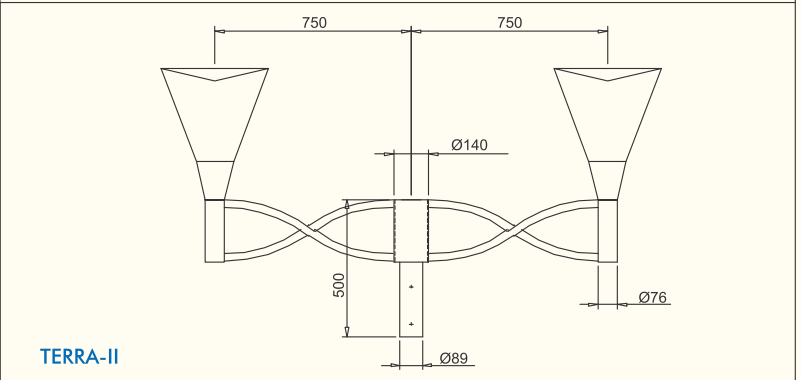
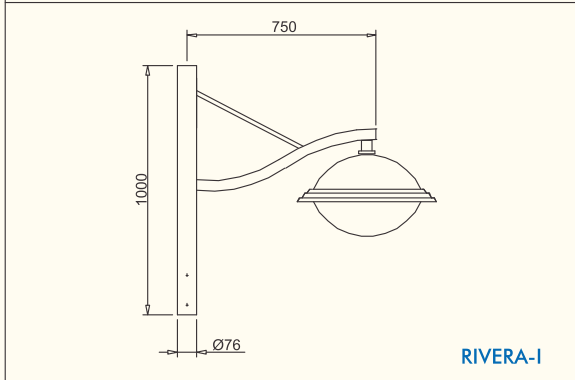
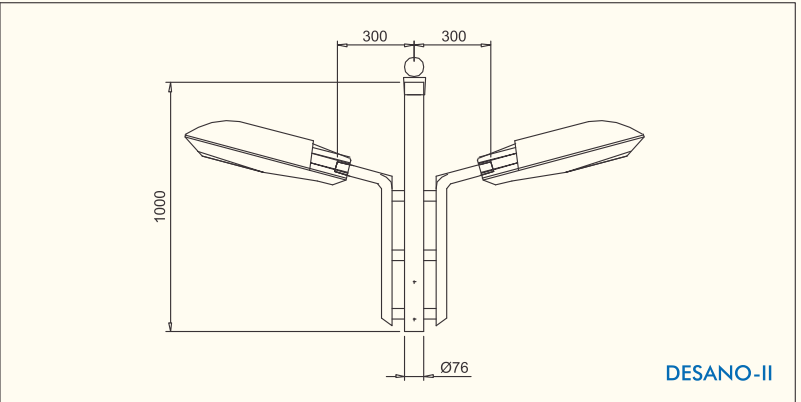
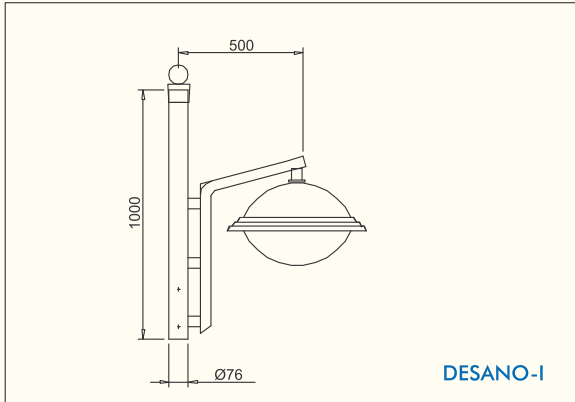


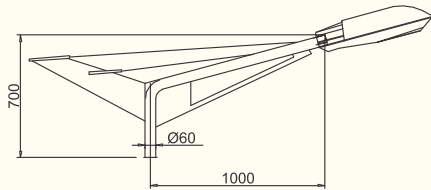
FLORAL-II



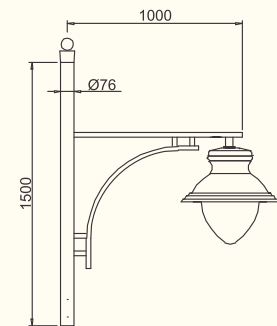
LORAL-I



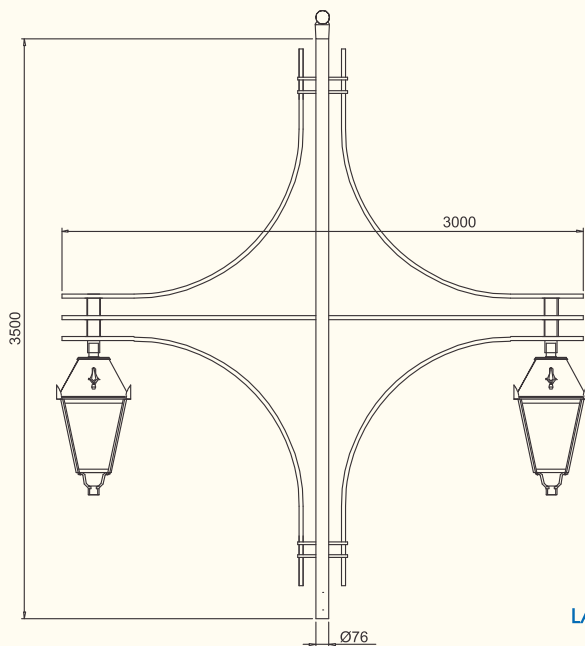




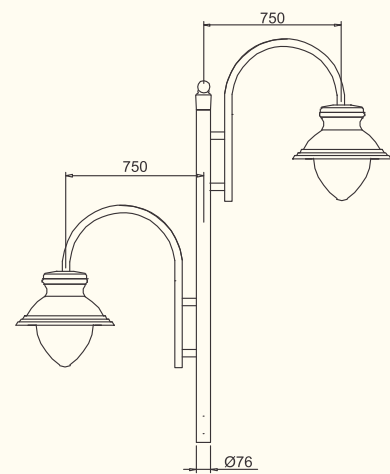
CELINO



ARC

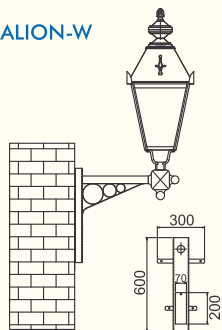


LA-ROYAL

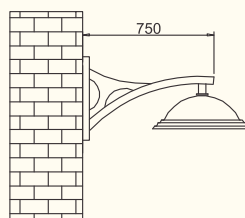


RAVE-II

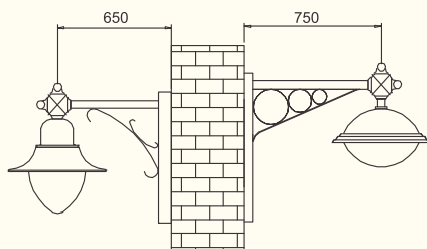
COLENALION-W



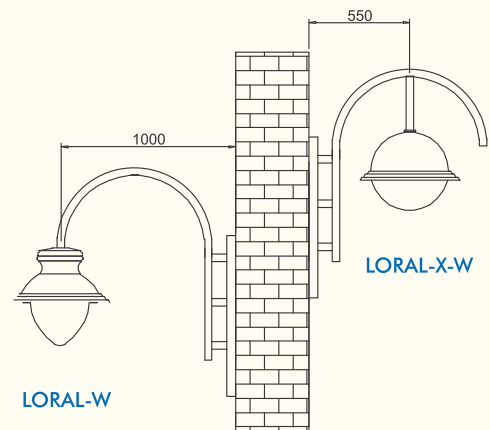
BRANO-W



FLORA-W



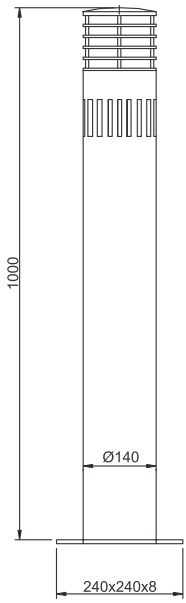
BLANCO-W



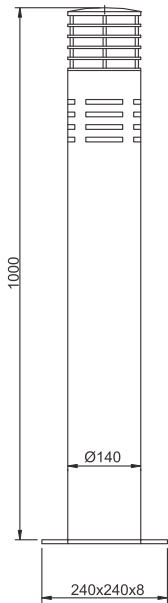
LORAL-W

LORAL-X-W

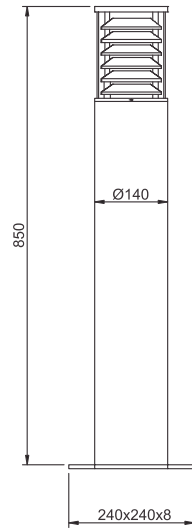
CODE	LT GL MN -118	LT GL NM -118	LT GL ZM -118
HEIGHT	1000	1000	1000
TOP DIA.	140	140	140
SHAFT DIA.	140	140	140
BASE DIA.	200	200	200
RAIL OR CHAIN	Both	Both	Both
HINGED	No	No	No
REMOVABLE	No	No	No



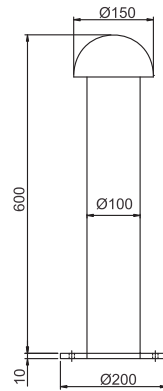
LT GL MN 118



LT GL NM 118



LT GL ZS 118



LT GL DS-6X1 HP LED



### Features:-

- Architectural design
- Robust design and structural integrity
- MS/GI ERW circular pipe section
- UV stabilised poly urethane painted
- 0.6-1 meter height
- Corrosion resistant and longevity
- Vandal resistant & durable
- Simple foundation integration
- Easy and quick to erect

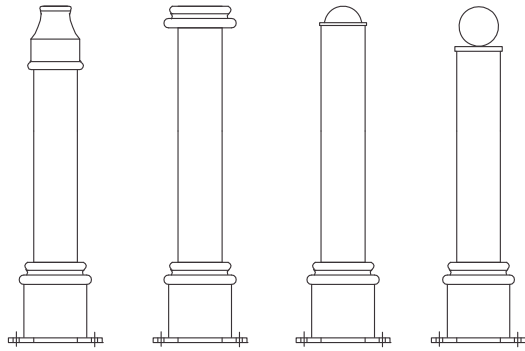
### Applications:-

- Landscape lighting
- Parks & Gardens
- Pathway lighting
- Public Areas





## ARCHITECTURAL BOLLARDS

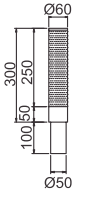


RICHE

RINGO

RHINO

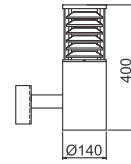
RITZ



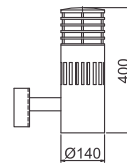
LED Beacon Illuminated



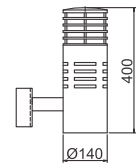
LED Beacon Non Illuminated



LT GL W-ZM-118/126/E-27



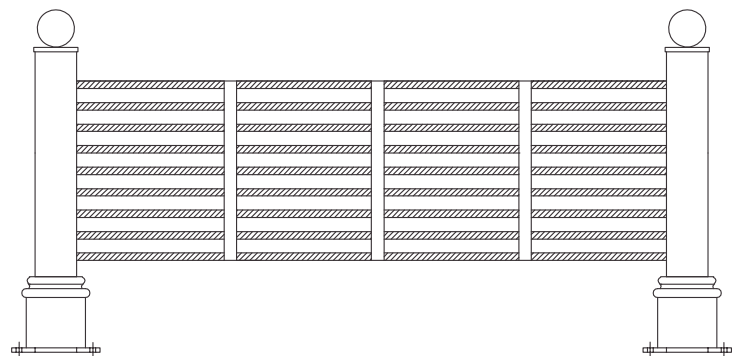
LT GL W-MN-118/126/E-27



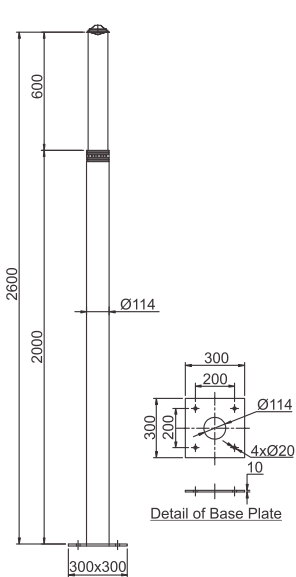
LT GL W-NM-118/126/E-27



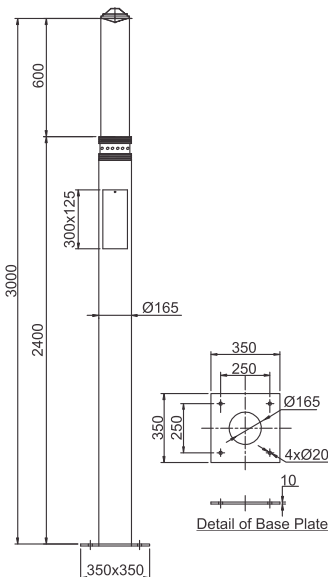
RINGO-C



RITZ-B



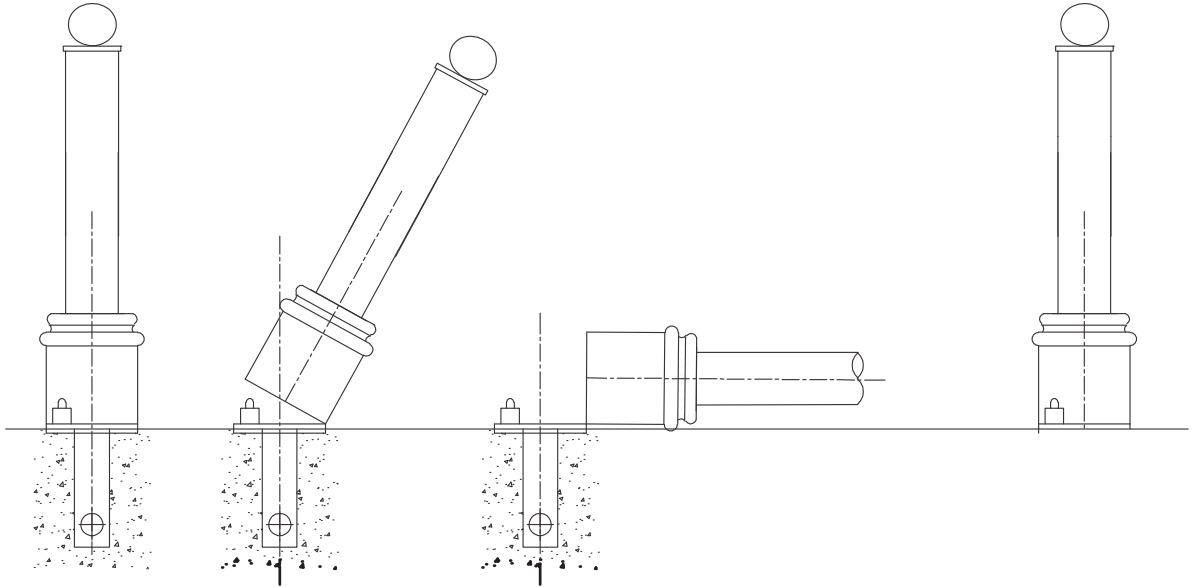
LT LCD1035/G12



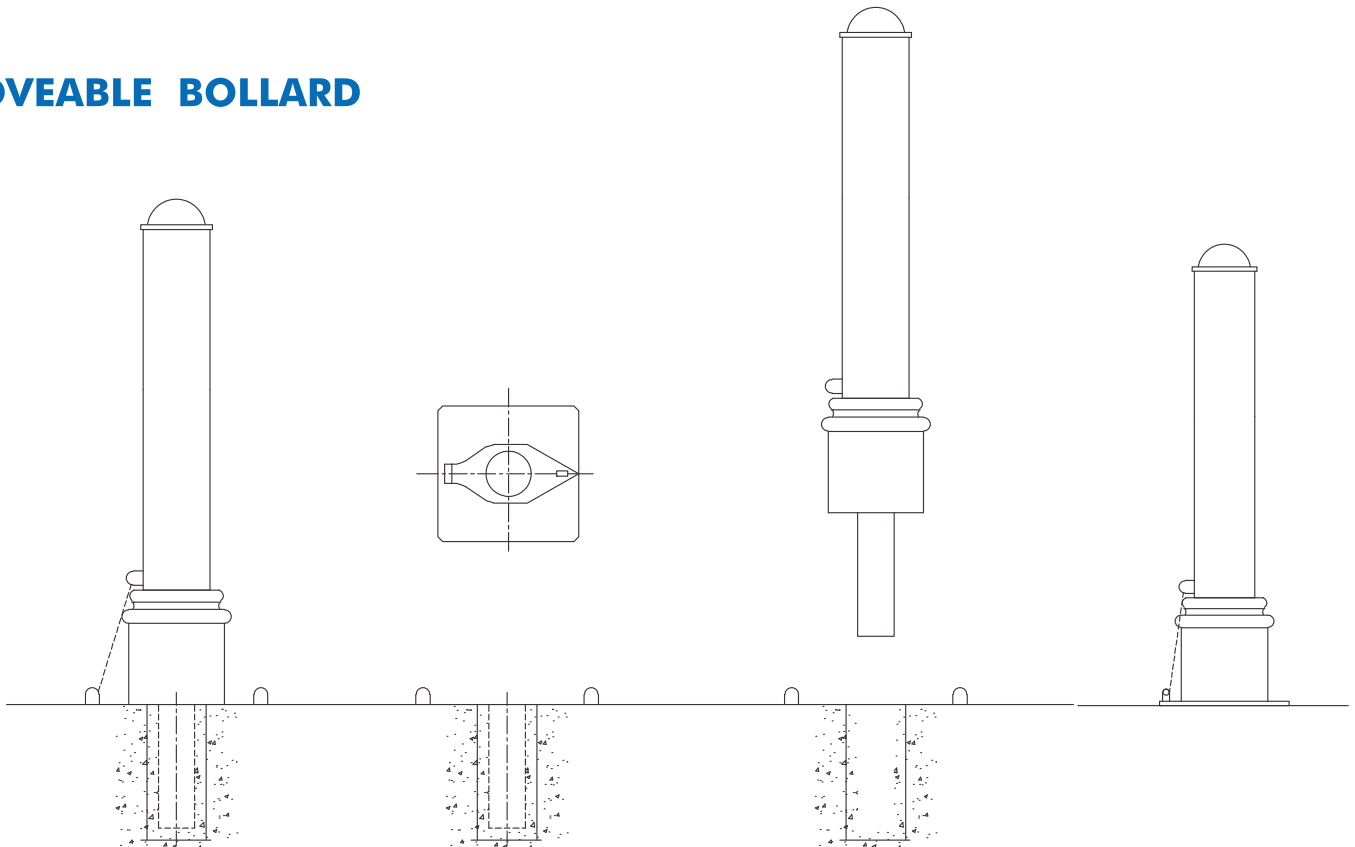
LT LC-L 1236

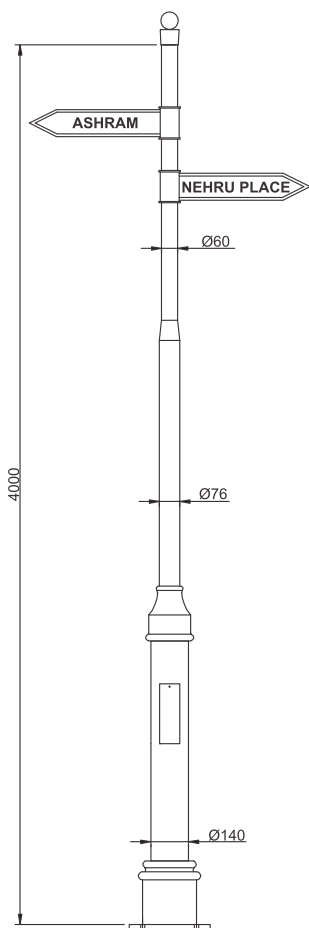


## HINGED BOLLARD

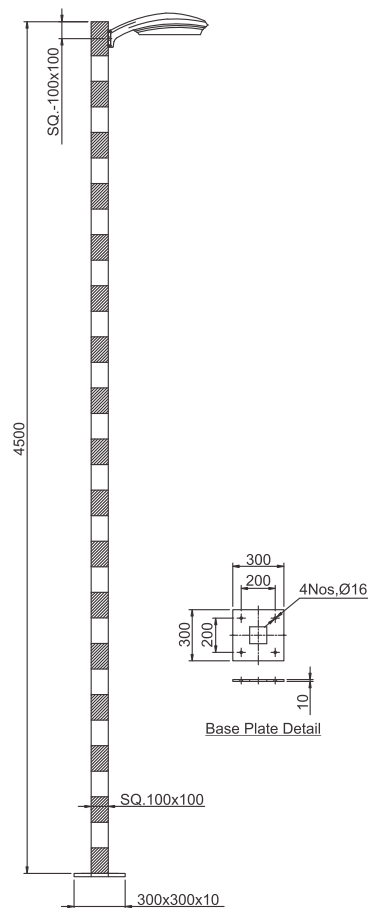


## REMOVEABLE BOLLARD

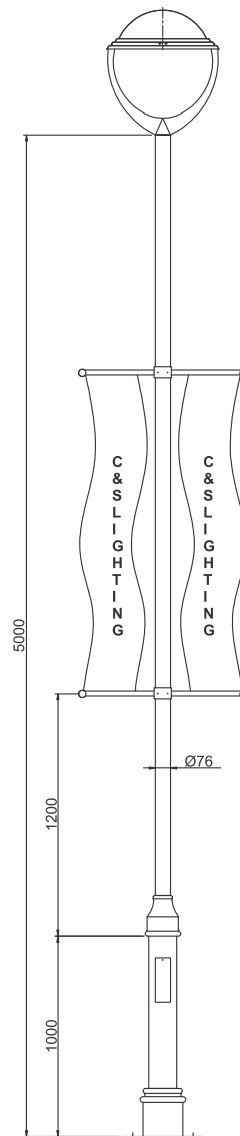




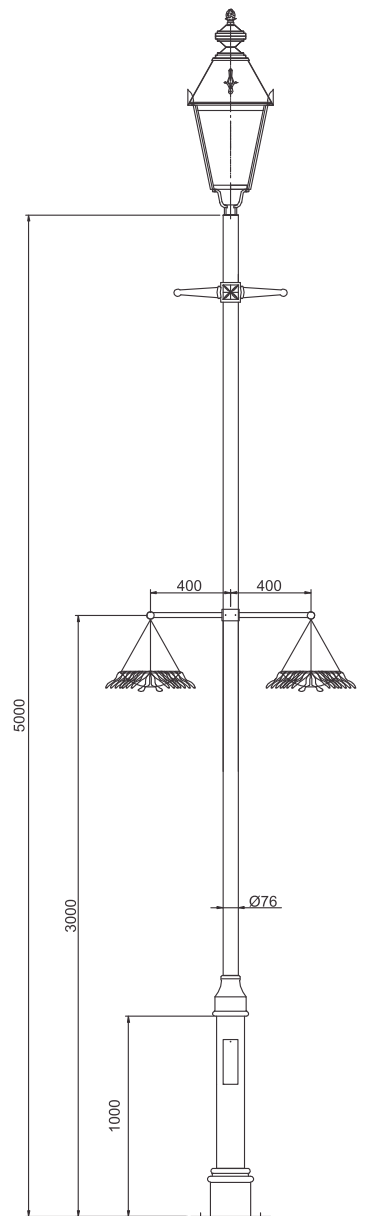
DIRECTO



Z-LINE



BANY



FLORA

## SOME OF OUR PRESTIGIOUS PROJECTS

- Meghmani Builders - Ahmedabad
- Military Engineering Service - Allahabad
- Agricultural University - Allahabad
- Ansal Housing - Agra
- Airport Authority of India - Bangalore
- Toyota Kirloskar - Bangalore
- ISRO - Bangalore
- Hotel Leela - Bangalore
- Stanzen Toyota - Bangalore
- United Telecom - Bangalore
- Infosys - Bangalore
- Hero Honda - Bangalore
- Hindustan Aeronautics - Bangalore
- Hotel Taj Residency - Bangalore
- Hotel Taj Westend - Bangalore
- Embassy Builders - Bangalore
- IBM - Bangalore
- Rail wheel Factory - Bangalore
- Yahoo - Bangalore
- RAK Ceramics - Bangladesh
- ISCKON Temple - Chandigarh
- IIT - Chennai
- Madras Medical College - Chennai
- TVS Group - Chennai
- TCS - Chennai
- Egmore Rly Station - Chennai
- Patni Computers - Chennai
- Australian High Commission - Delhi
- Enexco Teknologies - Delhi
- Netherland Embassy - Delhi
- India Habitat Centre - Delhi
- Comesum Plaza - Delhi
- PVR Multiplex - Delhi
- Delhi Metro - Delhi
- Hindustan Times - Delhi
- Hotel Eros Park Inter Continental - Delhi
- Ranbaxy - Delhi
- PWD - Delhi
- Laxmi Nagar FOB - Delhi
- MCD - Delhi
- Prime Minister's Office - Delhi
- Somany Tiles - Delhi
- Ansal Housing - Delhi
- AirTel - Delhi
- Maruti Suzuki - Delhi
- IBM - Noida
- Canadian Embassy - Delhi
- Akshar Dham Temple - Delhi
- American School - Delhi
- Uttranchal Power Corp. - Dehradun
- ONGC - Dehradun
- Institute of Himalaya Geology - Dehradun
- Nagar Nigam Dehradun - Dehradun
- E Value Serve - Gurgaon
- Uppal Builders - Gurgaon
- Ansal Florence Club - Gurgaon
- Maruti Suzuki - Gurgaon
- RICO Auto - Gurgaon
- Hero Honda - Gurgaon
- AirTel - Gurgaon
- HLL - Gurgaon
- Hotel Park Hyatt - Goa
- Cadila Health Care - Goa
- Ansal Plaza - Ghaziabad
- Pokrana Granites - Hyderabad
- Suyesh Hospital - Indore
- Hotel Ram Bagh Palace - Jaipur
- MICO - Jaipur
- Aman Castle Resort - Jaipur
- Hotel Taj Umaid - Jodhpur
- Air Force Station - Kanpur
- Radisson Hotel - Kerala
- Sahara City - Lucknow
- Allahabad Bank - Kolkata
- Corporation Bank - Kolkata
- Dena Bank - Kolkata
- DVC - Durgapur & Mejia
- S.E.Rly -KGP Work Shop - Kolkata
- State Bank of India - Lucknow
- Hindustan Hydraulics - Ludhiana
- Oswal Denims - Ludhiana
- Reliance Residential Township - Mumbai
- SEBI - Mumbai
- CST Airport - Mumbai
- Ajay Devgan's Residence - Mumbai
- Mukesh Ambani's Residence - Mumbai
- Gautam Singhanian's Residence - Mumbai
- Shahrukh Khan's Residence - Mumbai
- Central Bank of India - Mumbai
- NMMC - Navi Mumbai
- Roltanet - Mumbai
- Reliance Biotech - Mumbai
- CST Rly Station - Mumbai
- Military Engineering Service - Mumbai
- TIFIL - Mumbai
- TMC - Thane
- Antilia - Mumbai
- Asha Bhosle Residence - Mumbai
- ISCKON Temple - Mathura
- Hotel Vrindavan - Mathura
- Hotel Taj Palace- Maldives
- Eastern Railway - Malda
- Times of India - Noida
- Better option property - Greater Noida
- GAIL - Noida
- BHEL - Noida
- Panchshil Realty - Pune
- Pune Airport
- International Convention Centre - Pune
- Tech Park - Pune
- HSBC - Pune
- IIT - Roorkee
- Hotel Royal Palm Beach - Srilanka
- Hotel Nila Valley Beach - Srilanka
- Hotel Tangerine Beach - Srilanka
- Hotel Columbo - Srilanka

## REGIONAL OFFICES

### DELHI

Ph. : (011) 30887520-29  
E-mail : delhi.lwa@cselectric.co.in

### CHANDIGARH

Ph. : (0172) 3021140-44  
E-mail : chandigarh.lwa@cselectric.co.in

### DEHRADUN

E-mail : dehradun.lwa@cselectric.co.in

### INDORE

Ph. : (0731) 3918017-20  
E-mail : indore.lwa@cselectric.co.in

### PUNE

Ph. : (020) 30283237-39  
E-mail : pune.lwa@cselectric.co.in

### MUMBAI

Ph. : (022) 24114727-28  
E-mail : mumbai.lwa@cselectric.co.in

### BANGALORE

Ph. : (080) 25586147/84389/84939  
30570345  
E-mail : bangalore.lwa@cselectric.co.in

### CHENNAI

Ph. : (044) 39180512-13  
E-mail : chennai.lwa@cselectric.co.in

### LUCKNOW

Ph. : (0522) 3917843-44  
E-mail : lucknow.lwa@cselectric.co.in

### CORPORATE OFFICE

222, Okhla Industrial Estate, Phase - III, New Delhi -20  
Ph. : (011) 30887520-29  
Fax : (011) 26848245  
E-mail : marketing.lwa@cselectric.co.in

### FACTORY

Plot No. 2, Sector - 8C  
Integrated Industrial Estate, Ranipur, Hardwar,  
Uttarakhand, India  
Ph. : (01334) 308130-144  
Fax : (01334) 308139

### MARKETING OFFICE

222, Okhla Industrial Estate, Phase - III, New Delhi - 20  
Ph. : (011) 30887520-29  
Fax : (011) 26848245  
E-mail : marketing.lwa@cselectric.co.in